

錫麟企業有限公司 Sencera Co. Ltd.

Tel:02-27046595

Fax:886-2-27041279

Email:justinel@ms14.hinet.net

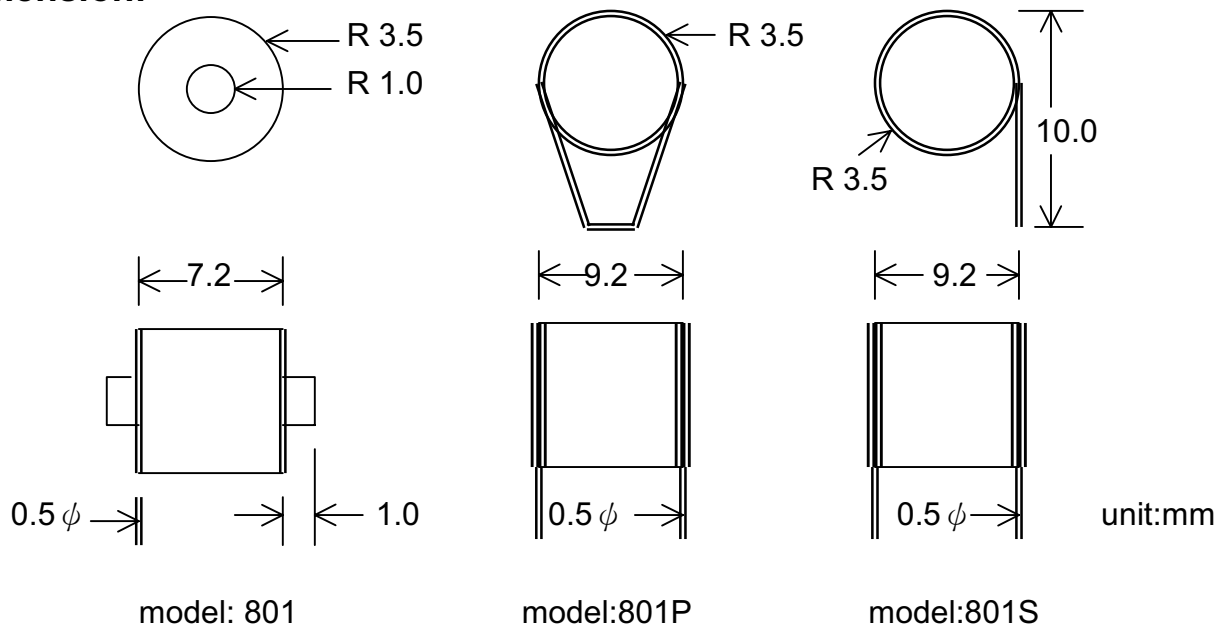
9F-5, No. 26, Jen-Ai Road, Taipei, Taiwan, ROC. <http://welcome.to/sencera>

Shock sensor 801X specification

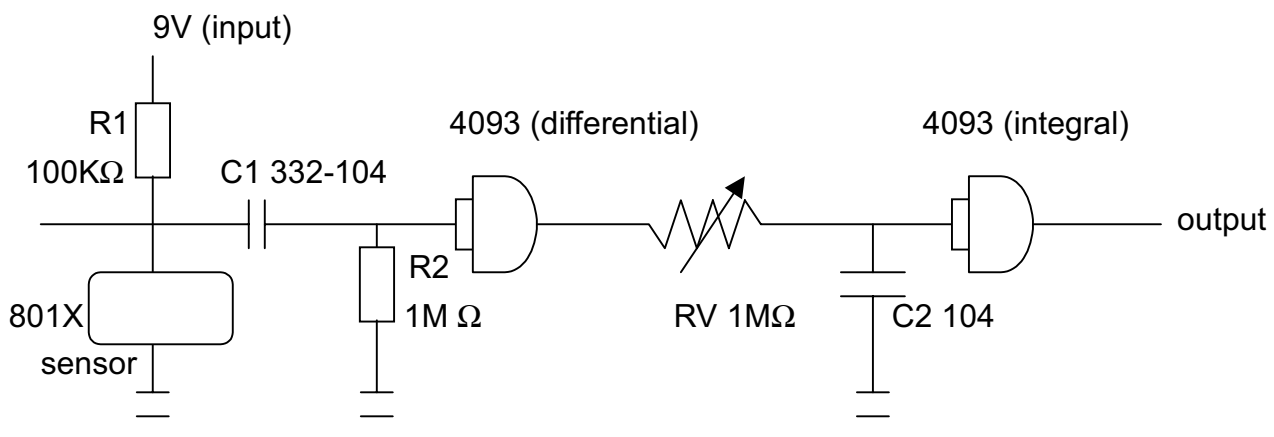
- Features:

- Micro Shock detecting.
- Non direction limited.
- 60,000,000 times shock guarantee (special gold alloy plated)
- Low cost circuit can adjust Sensitivity.

- Dimension:



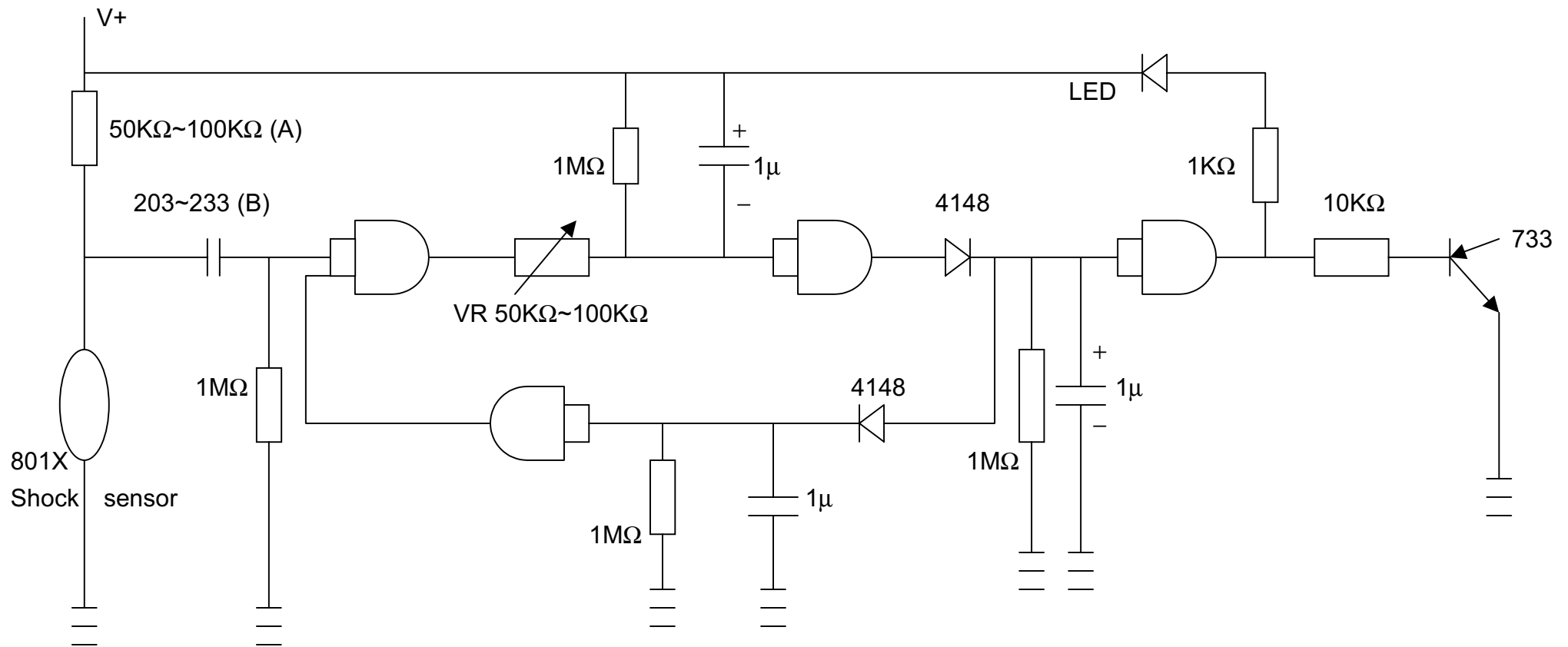
- Reference circuit:



- Attention:

1. Output must become **square wave**. (Can not use as shock switch!)
2. Take low or high of output square wave into your alarm system and adjust sensitivity from the delay time length.

Reference circuit of 801X shock sensor element



Remark:

1. Use 4093 IC and Vcc=12V
2. Sensitivity can be adjusted by (A) and (B) value.