

**Material:**

Housing: 30% Glass filled LCP UL94V-0.

Contacts: Brass.

**Electrical Characteristics:**

Current Rating: 2 AMP.

Dielectric Withstanding Voltage: AC 1000V For 1 minute.

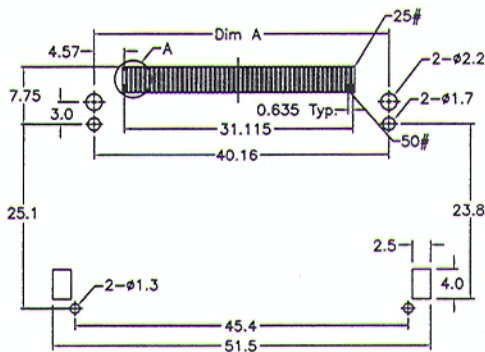
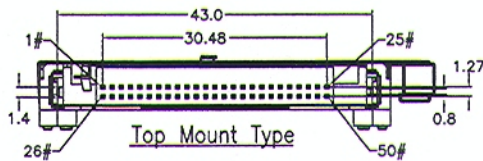
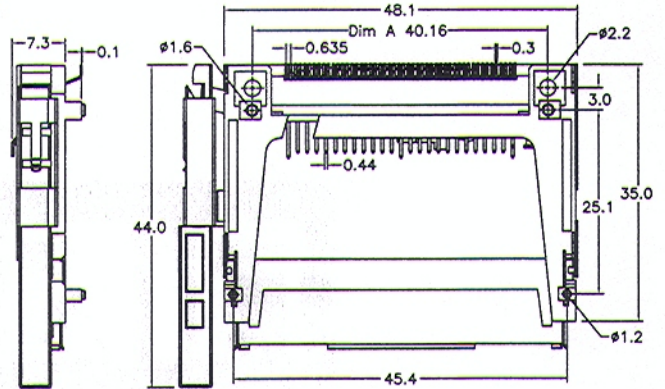
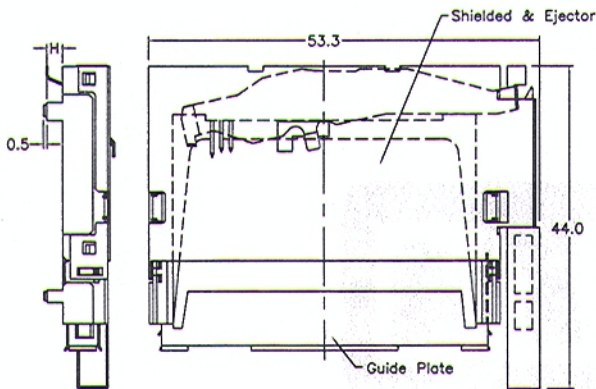
Insulator Resistance: 1000MΩmin. at DC 500V.

Contact Resistance: 30mΩmax. at DC 100mA.

Operating Temperature: -55°C ~ +105°C.

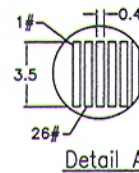
**Features:**

- \* Compatible with Compact Flash Association Standards.
- \* Various Stand-offs.
- \* Right Angle SMT.
- \* For Type I,II.
- \* Top Mount.



P.C. Board Layout

oznaczenie MARITEX: **CARD-CFE50C10**



Code	Dimension(H)
1	0.0
2	1.7
3	2.0
4	2.2

Pin Type	Interface	Dim Pin A No.
Detect	3.5	25, 26
General	4.25	All Other Pins
Power	5.0	1,13,38 & 50