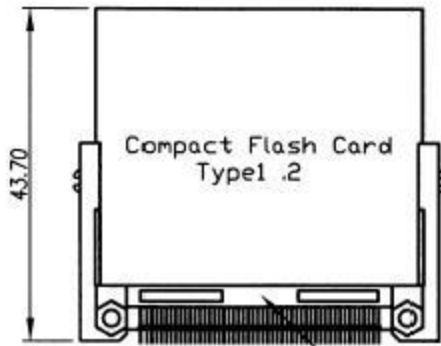
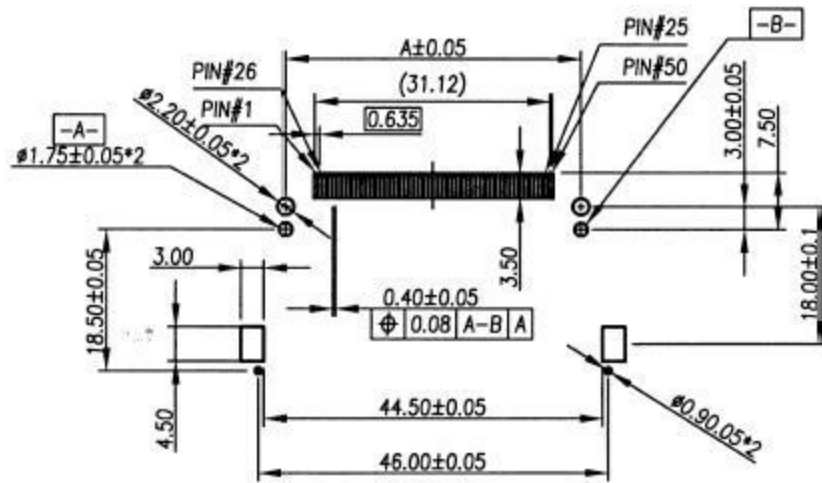
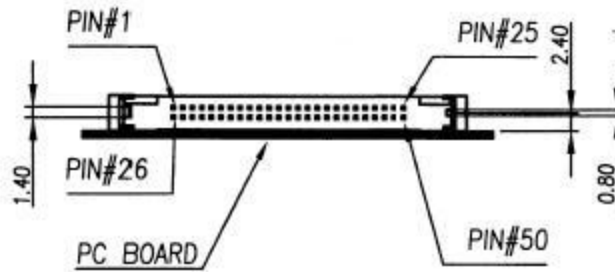


CARD-CF50C10



For Vacuum Pick
(10.0mm*2.8mm)



SPECIFICATIONS:

- HOUSING : High Temperature Plastic, UL 94V-0
- CONTACT : Copper Alloys
- VOLTAGE RATING : 100VAC
- CURRENT RATING : 0.5A
- CONTACT RESISTANCE: 40 m Ohm max.
- INSULATION RESISTANCE: 1000M Ohm max.
- DIELECTRIC STRENGTH : 500VAC/1min
- OPERATION TEMPERATURE : -40°C~85°C

CARD-CF50C10