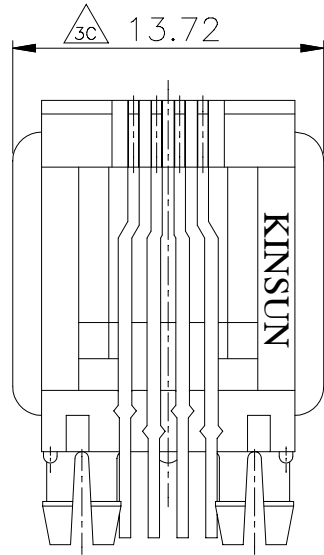


MATERIALS:

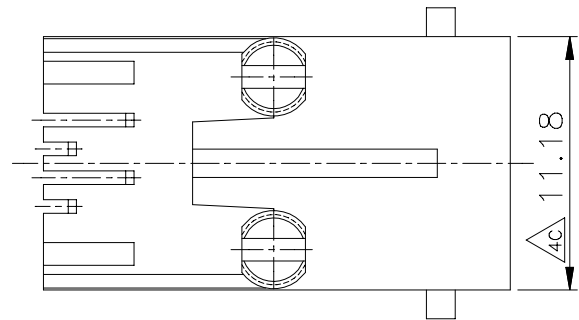
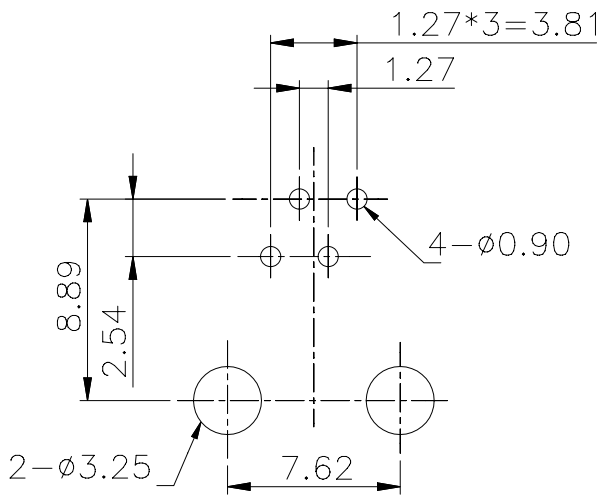
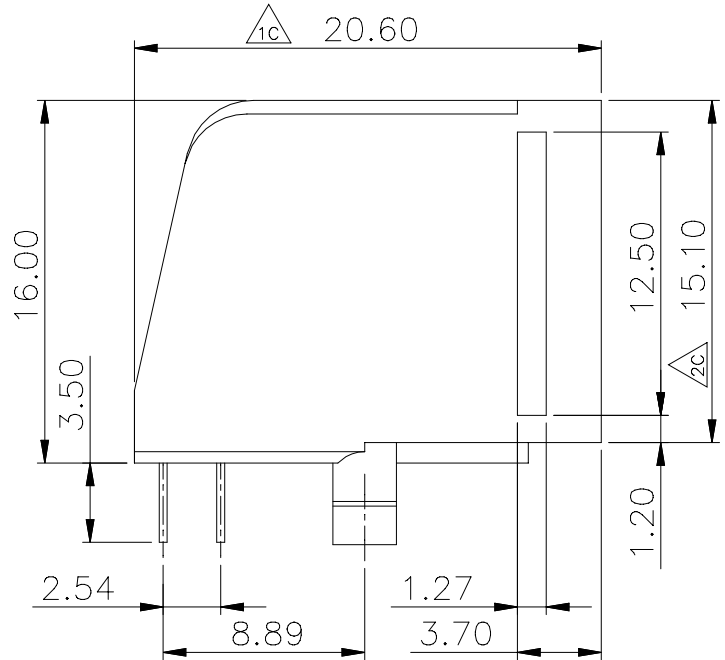
PLASTIC HOUSING: ENGINEERING THERMOPLASTIC
 FLAMMABILITY RATING UL 94V-0.

CONTACTS: PHOSPHOR BRONZE

PLATING: GOLD PLATING OVER NICKEL IN CONTACT.
 TIN PLATING OVER NICKEL IN SOLDER AREA.



PCB LAYOUT/TOP VIEW



※凡標註 \triangle 記號者, 為品管檢驗之尺寸

- 6u" P/N 3001131100
- 15u" P/N 3001131200
- 30u" P/N 3001131300
- 50u" P/N 3001131400



設計 DR. LILY 88-09-28	核准 APPD. Jerry	容許公差 TOLERANCE .XXX ±0.10 .XX ±0.25 .X ±0.38 X ±0.50 ANG ±3°	品名 ARTICLE SIDE ENTRY PCB JACK(4P4C)
版本說明 REVISION NOTE			圖號 DWG NO. 3001131100
			單位 UNIT mm
			比例 SCALE 3/1
			張數 SHEET 1/1
			版本 REV. A