

RATING: DC 50V 0.5A

CONTACT RESISTANCE: Not more than 30mΩ(initial)

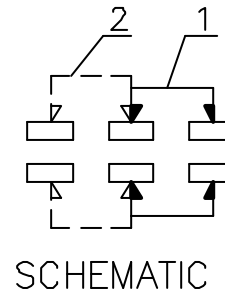
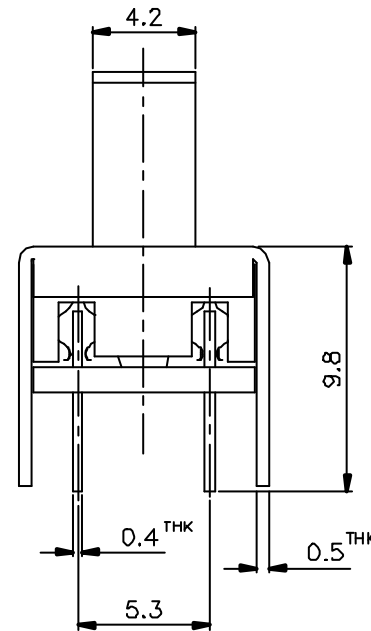
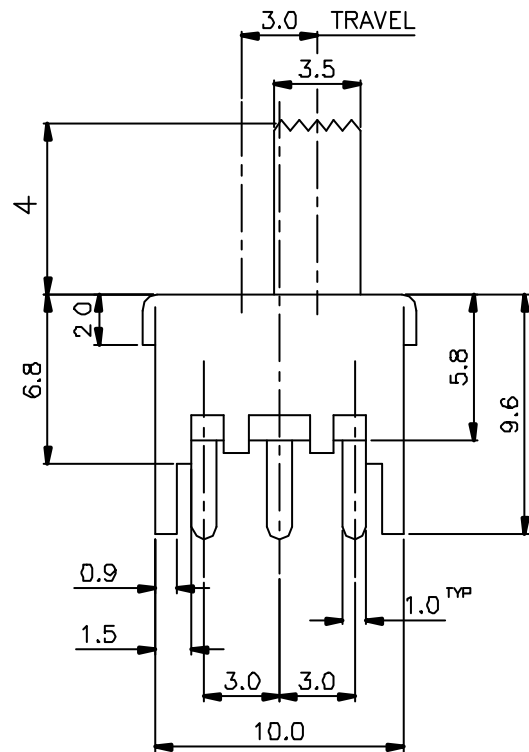
INSULATION RESISTANCE: 500MΩ at 500V DC

WITHSTAND VOLTAGE: AC 500V for 1 min

OPERATION FORCE: 350±150g

SWITCHING LIFE: 10000cycles(6-10c/m loading)

TOLERANCE: ±0.2



REVISION	DESCRIPTION	REVISED BY	TOLERANCES .x .xx		ANGLE 1/2°	UNIT	mm	PART NAME	SLIDE SWITCH 2P2T	DWG NO
△			DRAWN BY	Alice	DESIGNED BY	Eric	SCALE			WS0186A
△			CHECKED BY	Wong	APPROVED BY		DATE	3/1/2005	PART NO	
△									SS-22F05-G(A)4	