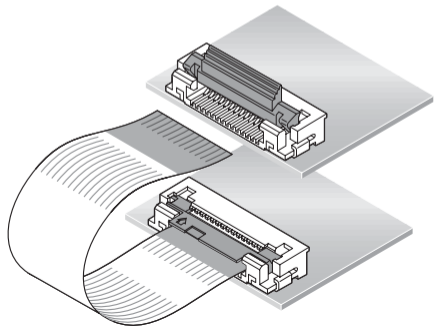


# 0.50mm (.020") Pitch Premo-Flex™ Flat Flex Cable Jumpers

**98266**  
**Standard**



Molex introduces a complete line of 0.50mm (.020") pitch Flat Flex Cable jumpers. These jumpers are used to connect 2 PC boards and terminate to either ZIF or Non-ZIF FFC connectors.

Molex 0.50mm (.020") Flat Flex Cable jumpers are available in a wide variety of lengths and circuit sizes. These standard lengths are easy to order and feature shorter lead times.

We are also able to offer customized lengths and circuit sizes.

### **Reference Information**

Product Specification: PS-98266-001

Packaging: Box

UL Style No.: 20706

Mates With: Any 0.50mm (.020") pitch Molex FFC/FPC connector

Designed In: Millimeters

### **Electrical**

Voltage: 60V

Current: 0.5A

### **Physical**

Strip Length: 4.0mm (.157")

Reinforcement Length: 8.0mm (.315")

Width: (N + 1) 0.50mm

Span: (N - 1) 0.50mm

Margin: 0.35mm (.014")

Conductor Width: 0.30mm (.012")

Conductor Thickness: 0.10mm (.004")

End Thickness: 0.30 ± 0.05mm (.012 ± .002")

Temperature: -40 to +105°C