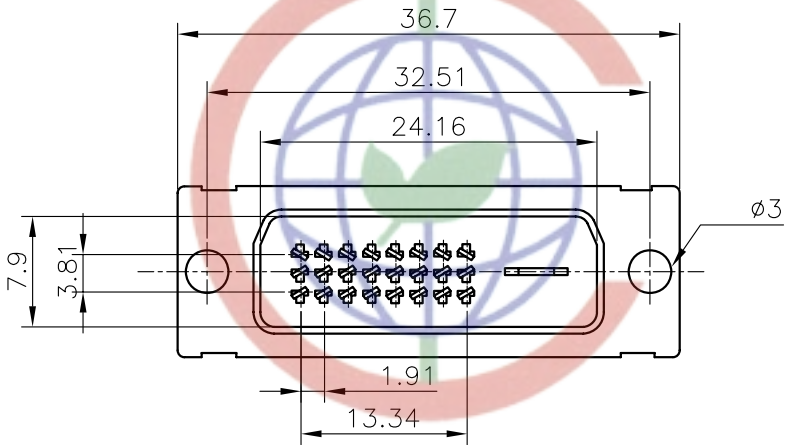


REV.	DESCRIPTION	DRAWN	CHECKED	APPROVED
A	NEW RELEASE	HP 20/06/05		



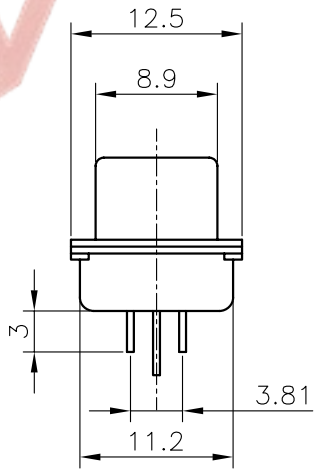
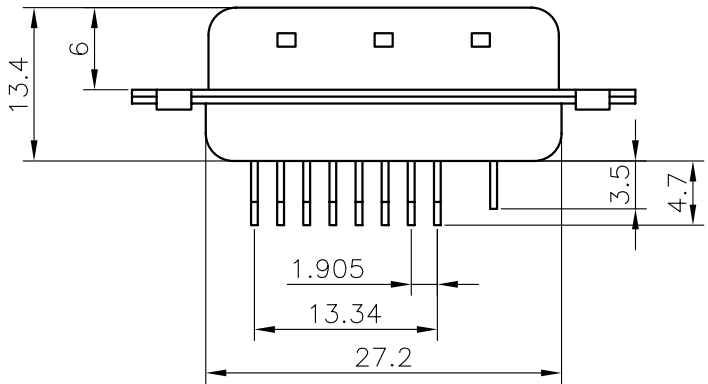
NOTES:

- SPECIFICATIONS
  - Contact Resistance: 30mΩ max
  - Insulation Resistance: 1000MΩ min.
  - Current Rating: 1A
  - Dielectric withstanding voltage: AC 500V For 1 minute
  - Contact: Copper alloy.
  - Housing: Thermoplastic(UL 94V-0)

2. PRODUCT NUMBER CODE:

DS1088 - X X X X

- Screw type
  - X: W/O screw
  - S: W/ #4-40(UNC) screw
- Contact plating
  - 0: Selective gold flash
- Shell plating
  - N: Nickel
  - 6: Tin
- Color of housing
  - W: WHITE
  - B: BLACK
  - V: Ivory



Tel: 86-574-63508787  
Fax: 86-574-63510817

GENERAL TOLERANCE		ANGLE TOLERANCE		PROJECTION		TITLE	DVI PLUG 24+1(JDB-241)	
X.	±0.60	X.	±5°	UNITS	mm			
.X	±0.38	.X	±3°	SHEET SIZE	A4	SERIES	DS1088	
.XX	±0.25	.XX	±2°			<b>晨翔电子有限公司</b> <b>CONNFLY CONNFLY ELECTRONIC CO. LTD</b>		
DRAWING TYPE		CUSTOMER						
SCALE		SHEET		1 OF 1				
DRAWING NO.		C-DS1088-XXXX						

CONNFLY

P.C.: 315321