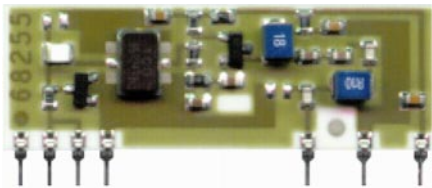


RTF2-XXX

FSK Radio Transmitter Module with SAW Resonator and External Antenna



General description

The RTF2-XXX is an hybrid circuit that allows to realize a complete FSK radio transmitter adding a coding circuit.

It shows stable electric characteristics thanks to the "Thick film hybrid" technology.

Up to 250 meters range with RRF1-XXX receiver.

XXX: custom-specified working frequency (315, 418, 433.92 MHz)

I-ETS 300-220 Compliance

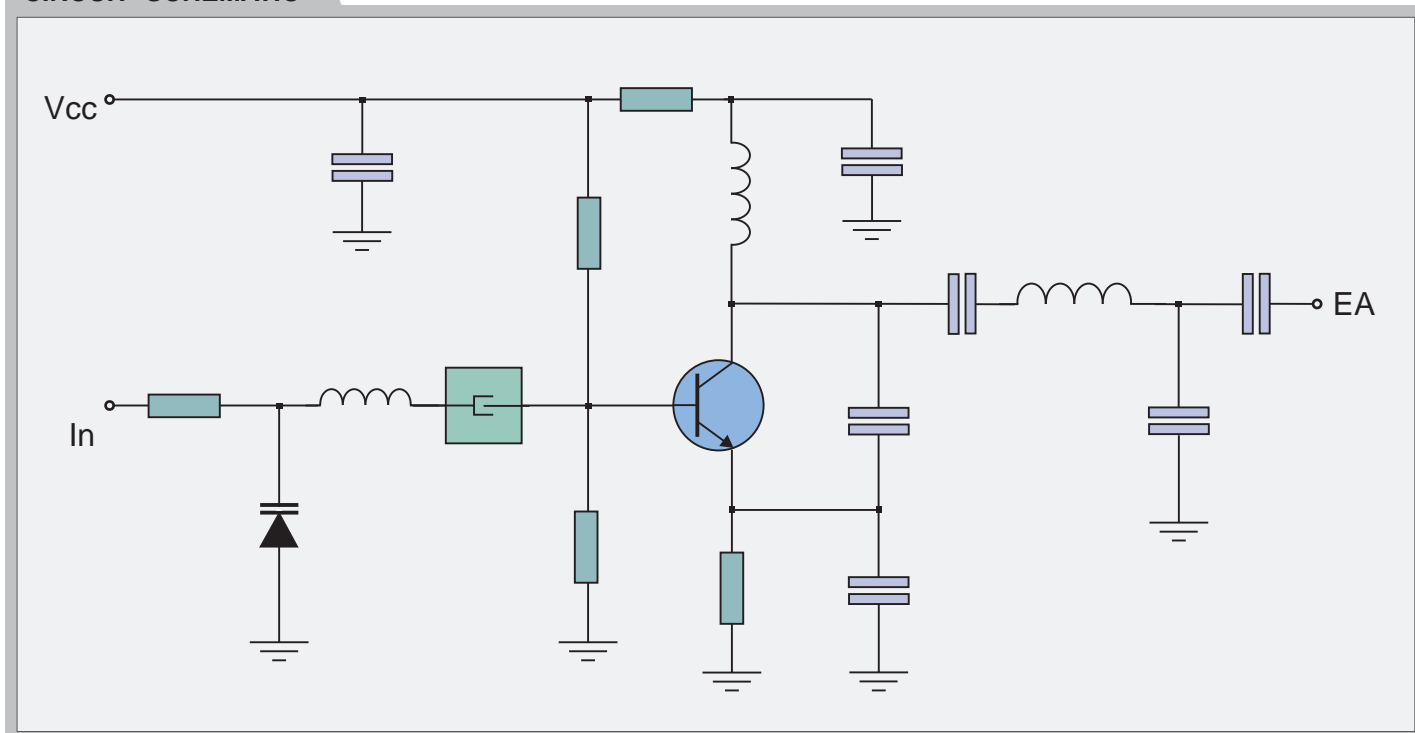
Features

- High Reliability
- SIL Package

Applications

- Wireless security systems
- Car Alarm systems
- Remote gate controls
- Sensor reporting

CIRCUIT SCHEMATIC



Electrical Characteristics

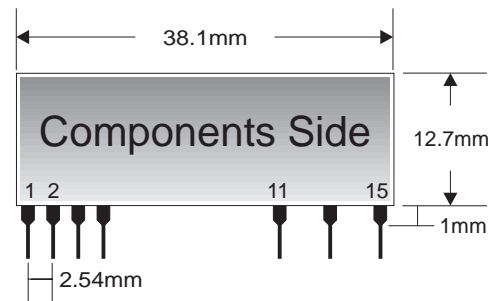
Ta = 25°C unless otherwise specified

	CHARACTERISTICS	MIN	TYP	MAX	UNIT
V _{CC}	Supply Voltage	2.7		14	VDC
I _S	Supply Current		15		mA
ΔF	Frequency Deviation		50		KHz
P _O	RF Output Power into 50Ω		+7		dBm
	Harmonic Spurious Emission		-50		dBc
V _{IH}	Input High Voltage	2.5		V _{CC}	V
	Max Data Rate			9.6	Kbps
T _{OP}	Operating Temperature Range	-25		+80	°C

Pin description

- 1 GND
- 2 IN
- 3 IN
- 4 GND
- 11 EA
- 13 GND
- 15 Vcc

Mechanical Dimensions



TYPICAL APPLICATION

