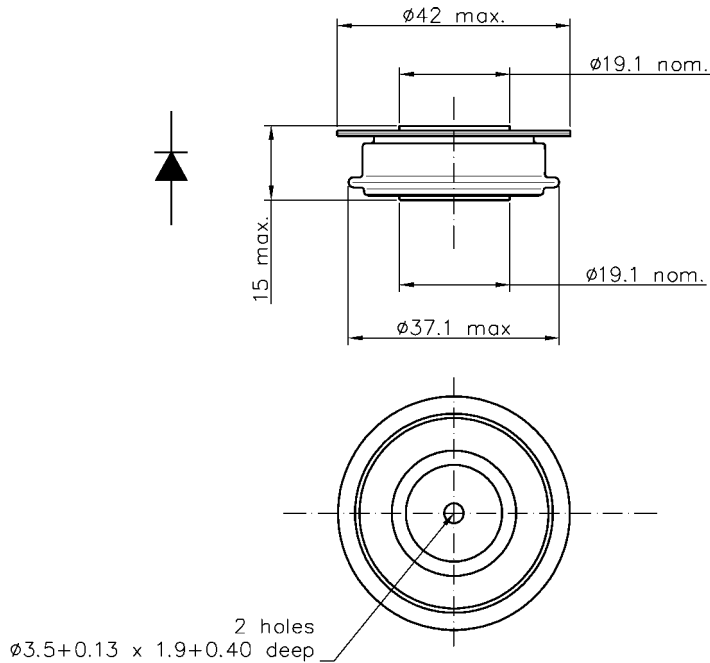


Package details



Clamping force: 4,5 – 6,5 kN

Nominal weight: 60 g