

JQX-14FF (HF14FF)

MINIATURE HIGH POWER RELAY



File No.:E134517



File No.:R50055983



File No.:CQC02001001955



Features

- 10A switching capability
- 5KV dielectric strength (between coil and contacts)
- Sealed IP67 & unsealed types available
- Environmental protection product available (RoHs & WEEE compliant)

CONTACT DATA

Contact Arrangement	1A, 1C
Initial Contact Resistance Max.	50mΩ(at 1A 24VDC)
Contact Material	AgCdO, AgSnO ₂
Contact Rating (Res. Load)	10A 277VAC/30VDC TV-5,120VAC
Max. switching voltage	277VAC/30VDC
Max. switching current	10A
Max. switching power	2770VAC/300W
Mechanical life	1 x 10 ⁷ OPS
Electrical life	1 x 10 ⁵ OPS

COIL

Coil power	0.55W
------------	-------

COIL DATA

Nominal Voltage VDC	Pick-up Voltage VDC	Drop-out Voltage VDC	Max. Allowable Voltage VDC(at 20°C)	Coil Resistance Ω
3	2.25	0.3	4.2	17 ± 10%
5	3.75	0.5	7.0	47 ± 10%
6	4.50	0.6	8.4	68 ± 10%
9	6.75	0.9	12.6	160 ± 10%
12	9.00	1.2	16.8	275 ± 10%
18	13.5	1.8	25.2	650 ± 10%
24	18.0	2.4	33.6	1100 ± 10%
48	36.0	4.8	67.2	4170 ± 10%
60	45.0	6.0	84.0	7000 ± 10%

Note:When require pick-up voltage < 75% of nominal voltage, special order allowed.

CHARACTERISTICS

Initial Insulation Resistance	1000MΩ (at 500VDC)	
Dielectric Strength	Between coil and Contacts	5000VAC 1min.
	Between open contacts	1000VAC 1min.
Operate time (at nomi. Volt.)	Max. 15ms	
Release time (at nomi. Volt.)	Max. 5ms	
Vibration Resistance	1.5mm, 10 to 55Hz	
Shock Resistance	Functional	100 m/s ²
	Destructive	1000 m/s ²
Humidity	98%, +40°C	
Ambient temperature	-40°C to +70°C	
Termination	PCB	
Unit weight	Approx. 18g	
Construction	Sealed IP67 & Unsealed	

SAFETY APPROVAL RATINGS

UL	10A 277VAC
	10A 30VDC
	1/3HP 250VAC
	1/4HP 125VAC
	TV-5,120VAC
TÜV	10A 250VAC
	10A 30VDC



HONGFA RELAY

ISO9001、ISO/TS16949、ISO14001、OHSAS18001 CERTIFIED

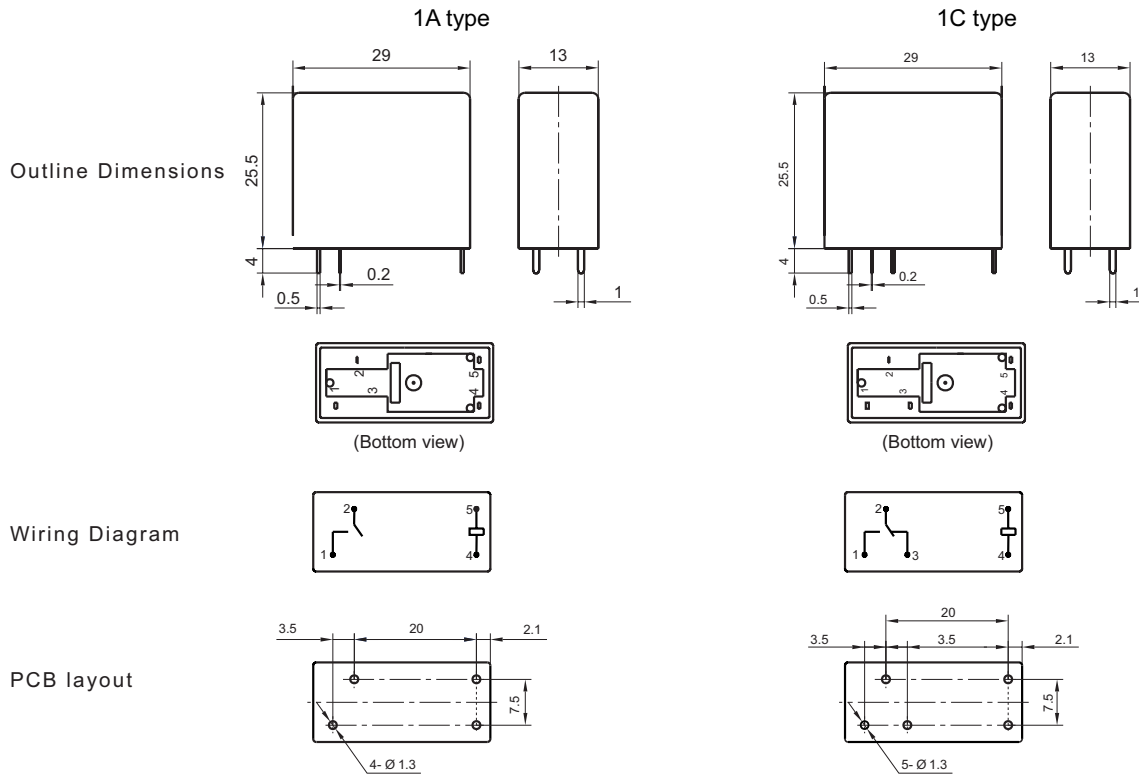
VERSION: EN03-20050301

ORDERING INFORMATION

Type	JQX-14FF / 012 1H S T F XXX
Coil voltage	3, 5, 6, 9, 12, 18, 24, 48, 60VDC
Contact arrangement	1H: 1A(SPST-NO) 1Z: 1C(SPDT)
Structure	S: Sealed IP67 Nil: Unsealed
Contact material	T: AgSnO ₂ Nil: AgCdO
Insulation System	F: ClassF Nil: ClassB
Special request code	(For example: 551: Lead-free 555: RoHs & WEEE compliant)

Note: Standard version is with black cover. Smoke dust cover is available.

OUTLINE DIMENSIONS, WIRING DIAGRAM AND PC BOARD LAYOUT



CHARACTERISTICS CURVE

