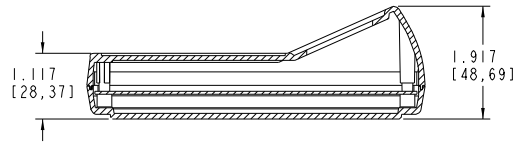
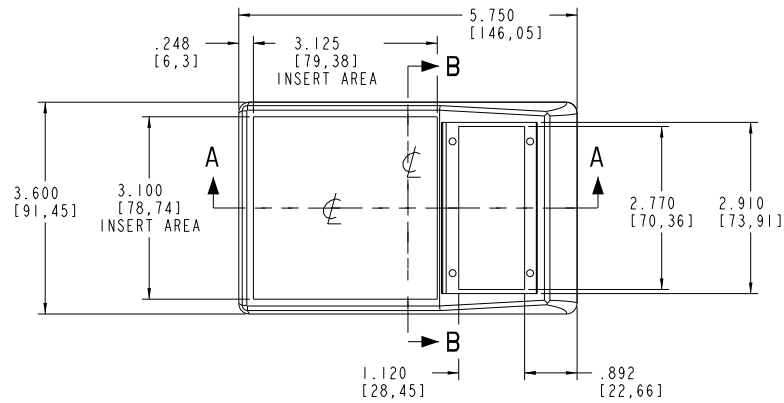
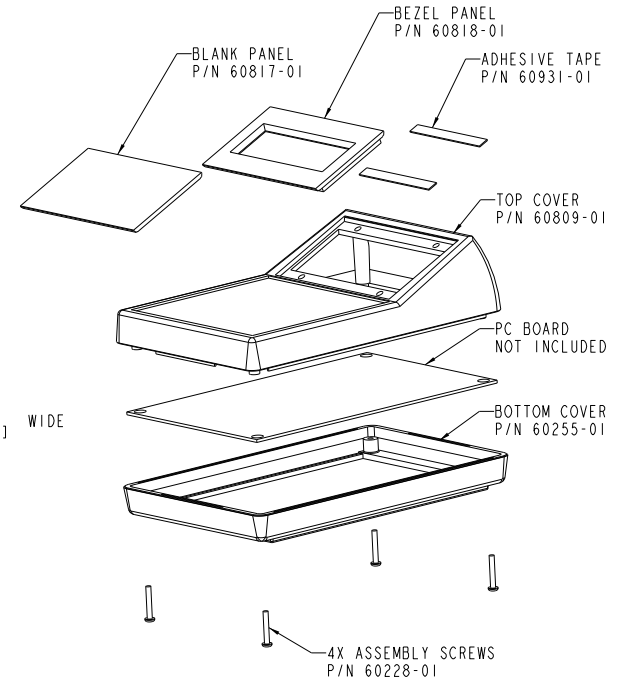
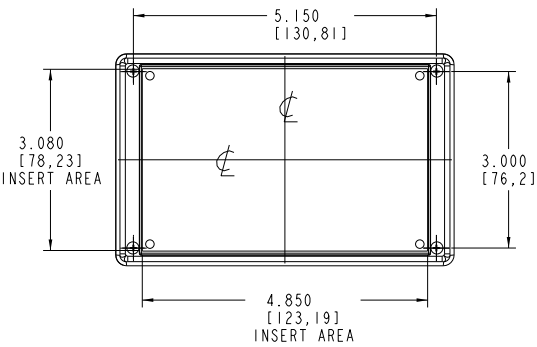
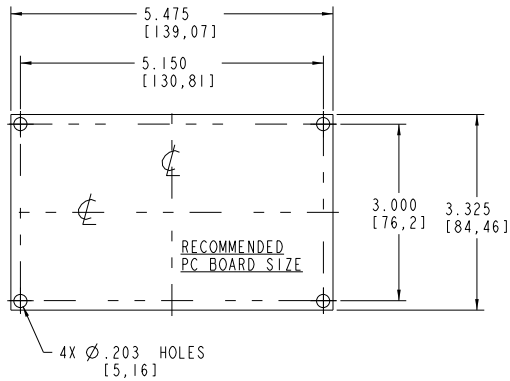


SECTION B-B



SECTION A-A



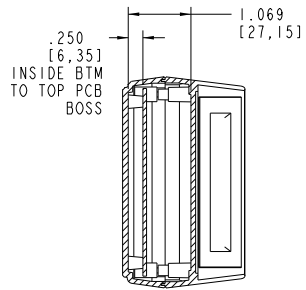
PACINTEC®
1-610-361-4200

HPS

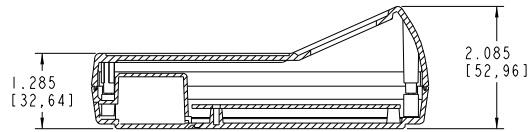
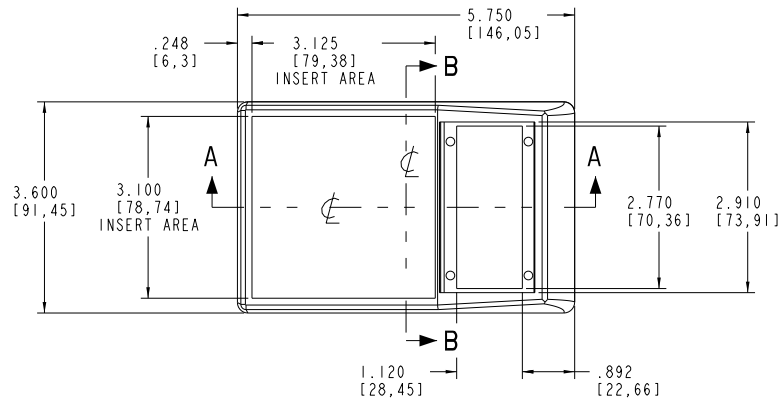
VISIT **PACINTEC®**
ON THE WORLD WIDE WEB
www.pacintecenclosures.com

COLOR / MATERIAL CODE	
COLOR	94HB 94VO
BLACK	000 028
P. C. BONE	039 060

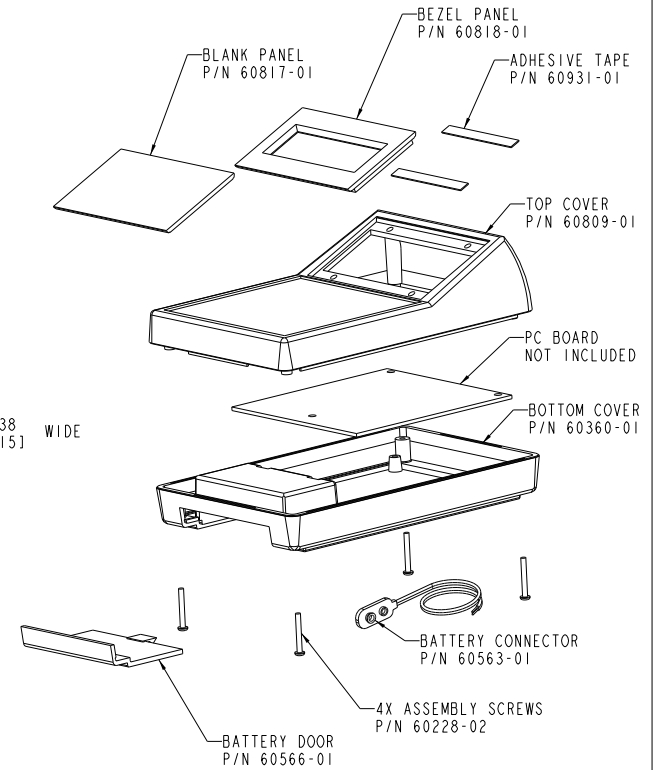
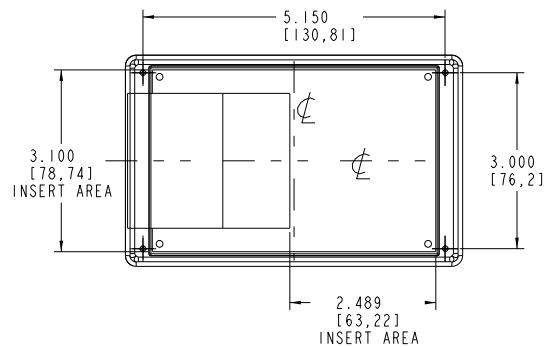
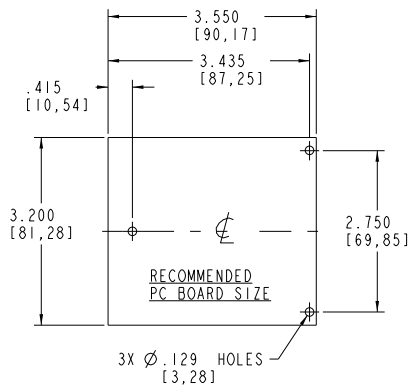
DRAWING NUMBER	REV
60815	B



SECTION B-B



SECTION A-A



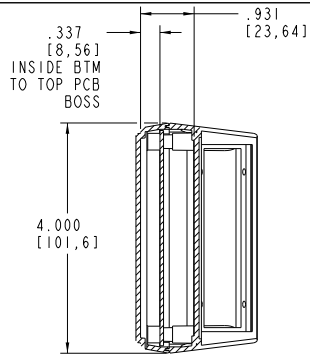
PACINTEC®
1-610-361-4200

HPS-9VB

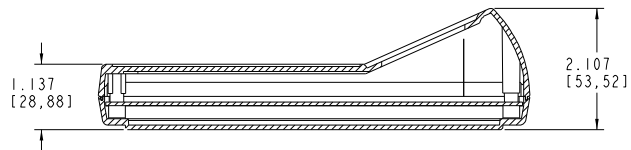
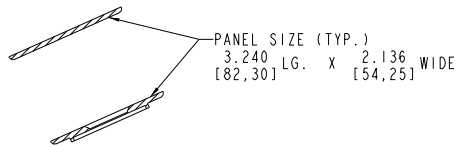
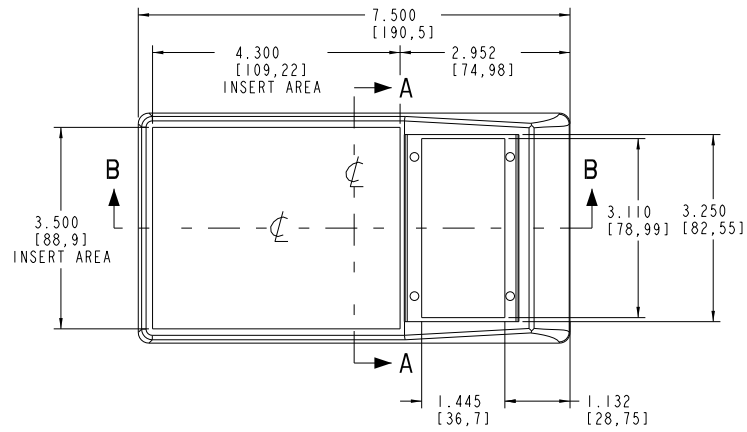
VISIT **PACINTEC®**
ON THE WORLD WIDE WEB
www.pactecenclosures.com

COLOR / MATERIAL CODE	
COLOR	94HB 94VO
BLACK	000 028
P.C. BONE	039 060

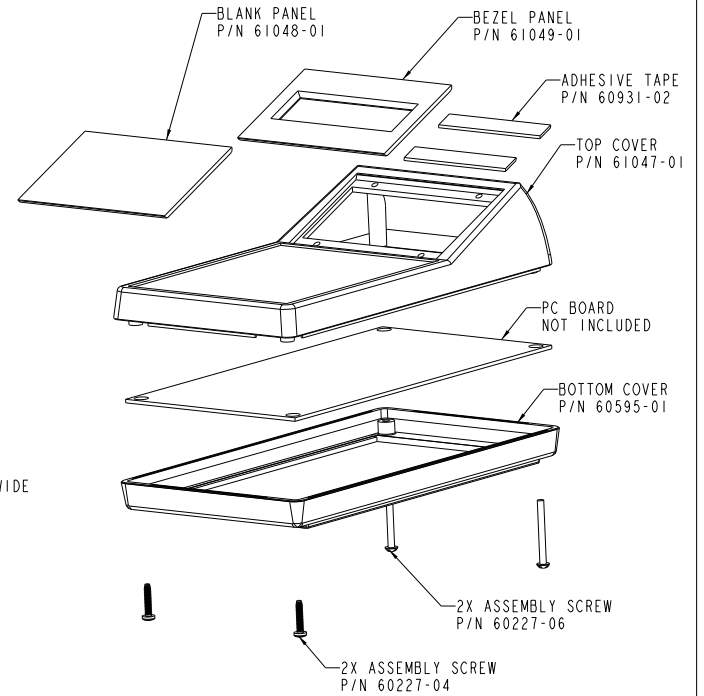
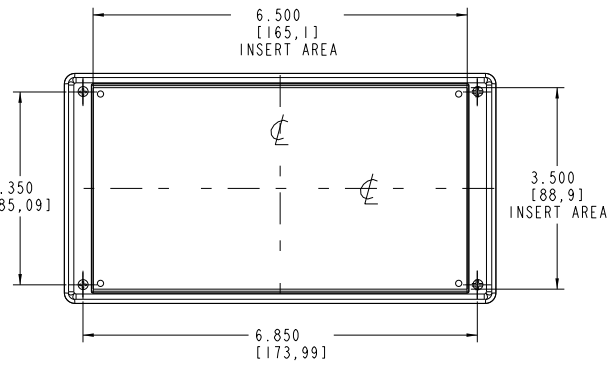
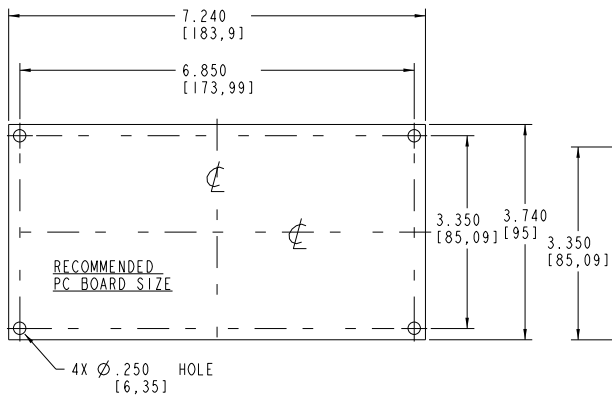
DRAWING NUMBER	REV
60814	B



SECTION A-A



SECTION B-B



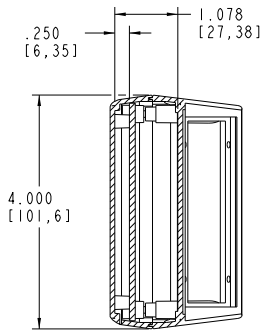
PACNTEC®
1-610-361-4200

HPLS

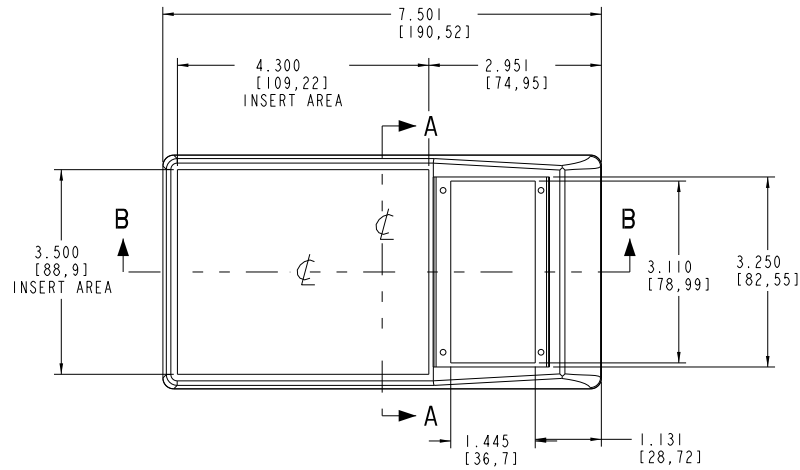
VISIT **PACNTEC®**
ON THE WORLD WIDE WEB
www.pactecenclosures.com

COLOR / MATERIAL CODE		
COLOR	94HB	94VO
BLACK	000	028
P.C. BONE	039	060

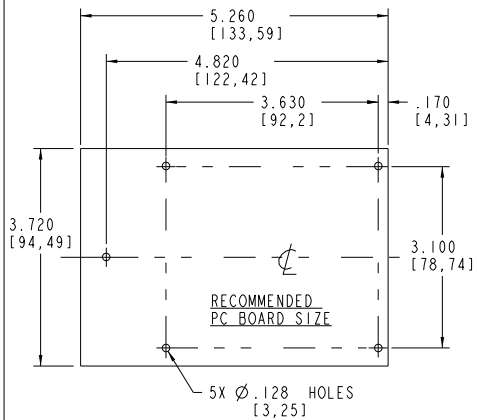
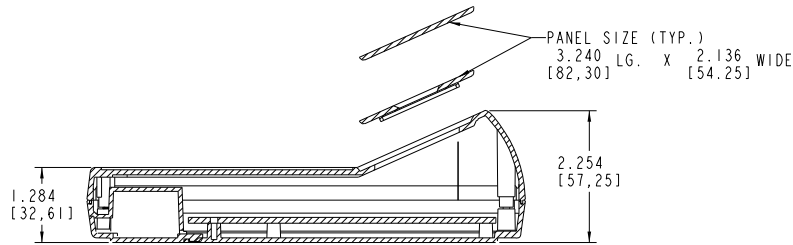
DRAWING NUMBER	REV
61638	B



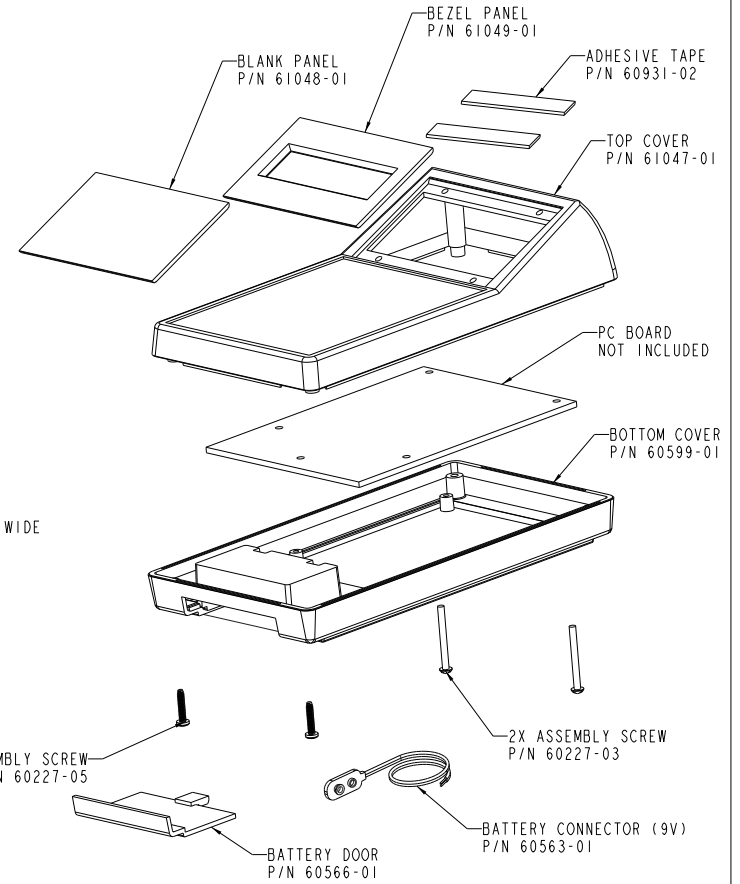
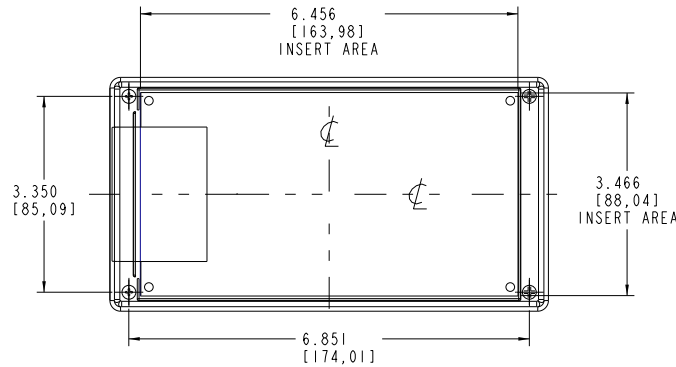
SECTION A-A



SECTION B-B



RECOMMENDED
PC BOARD SIZE



PACINTEC®
1-610-361-4200

HPLS-9VB

VISIT **PACINTEC®**
ON THE WORLD WIDE WEB
www.pactecenclosures.com

COLOR / MATERIAL CODE		
COLOR	94HB	94VO
BLACK	000	028
P. C. BONE	039	060

DRAWING NUMBER	REV
61639	B