

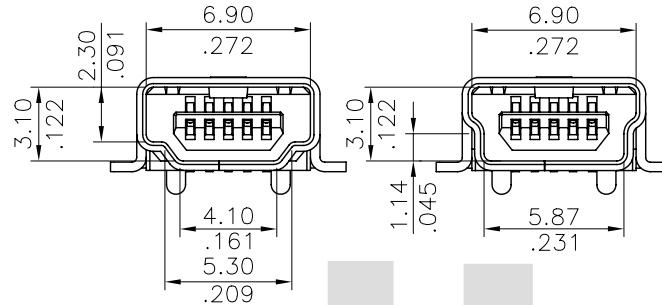
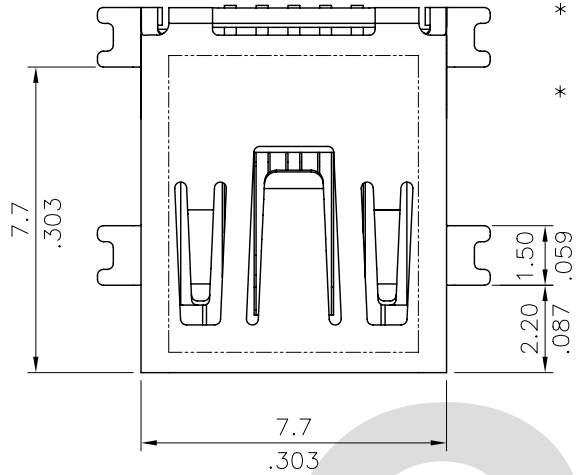
Materials :

- * Insulation: Glass filled Polyamide UL 94V-0
- * Contacts: Copper Alloy
- * Shell: Copper Alloy
- * Shell Plating:
120 μ " Tin plated over 30 μ " Nickel
- * Pick & Place Pad : Glass filled polyamide UL 94V-0

Ordering Code:

CU04 S C M 9 5 C 0 -R0
① ② ③ ④ ⑤ ⑥ ⑦ ⑧ ⑨

- ① Series No.
- ② S= Socket
- ③ Plating option:
A= Selective Gold flash plated over 1.27 μ m(50 μ " Nickel
C= Selective 0.76 μ m(30 μ " Gold plated over 1.27 μ m(50 μ " Nickel
- ④ Tail style: M= SMT Type
- ⑤ Insulator Color: 0= White 1= Black 9= Gray
- ⑥ No of Circuits: 5= 5 Pin
- ⑦ Type: A= Mini USB 5 Pin Type-A (White)
B= Mini USB 5 Pin Type-B (Black)
C= Mini USB 5 Pin Type-AB (Gray)
- ⑧ Option: 0= Standard
- ⑨ Packing Option:
-R0= Tape & Reel Packing (With Pick & Place Pad)
-T0= Tube Packing

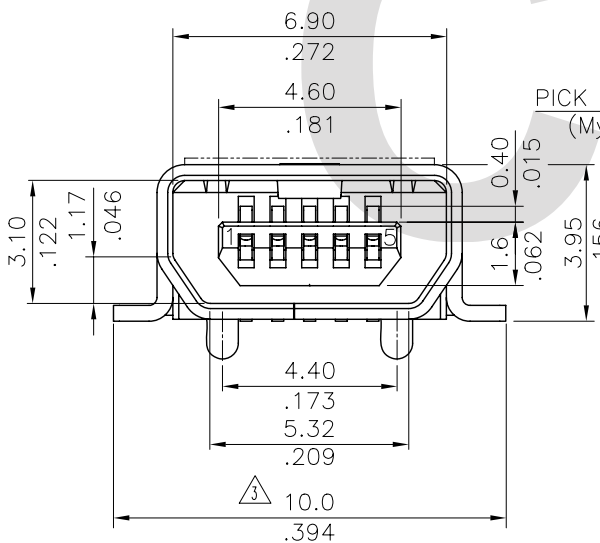


TYPE-A

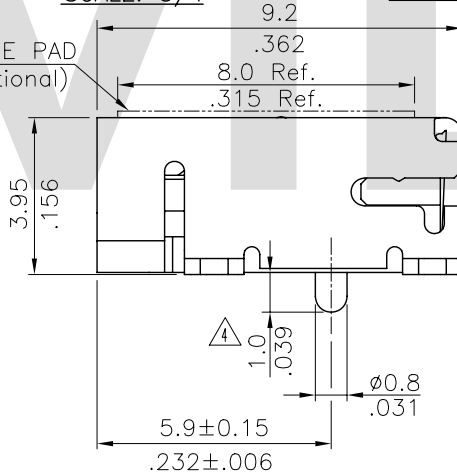
TYPE-B

P/N:CU04S*M05A0-*0
SCALE: 3/1

P/N:CU04S*M15B0-*0
SCALE: 3/1

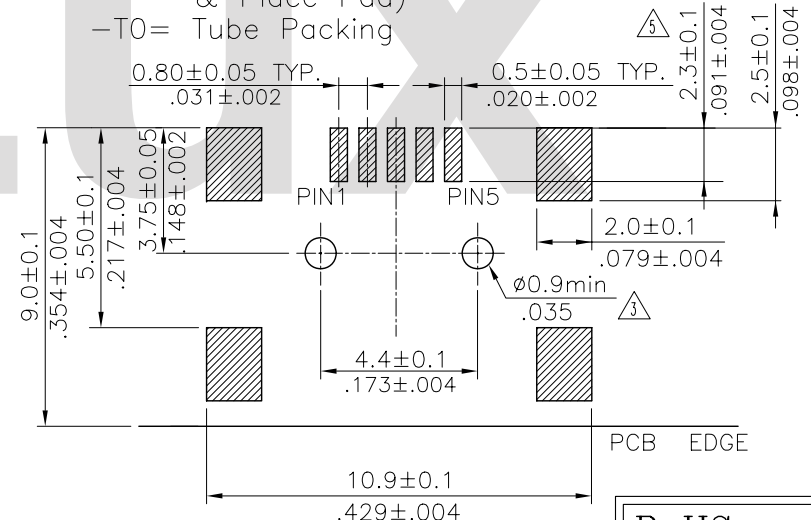


PICK & PLACE PAD
(Mylar)(Optional)



TYPE-AB

P/N:CU04S*M95C0-*0



Recommended P.C. Board Layout

RoHS Compliant

④	SUN	7/14/05"	ECN05240		DATE	UNIT: mm / inch	TITLE: MINI USB 5 PIN SMT BOARD MOUNT CONNECTOR	 瀚荃股份有限公司 CviLux Corporation	
③	Sandy	11/23/04"	ECN04469		DRAWN BY: Sandy	07/10-06'	TOLERANCE UNLESS OTHERWISE SPECIFIED		MATERIAL:
②	Eisley	11/28/03"	ECN03430		ENGINEER: Eisley	07/11-06'	.X ± 0.20/.008 X' ± 1'		FINISH:
①	Sandy	7/10/06'	ECN06219		CHECKED BY: David	07/12-06'	.XX ± 0.10/.004 X' ±		DRAWING NO. CU0404SK PART NO. CU04S*M*5*0-*0
SYM	NAME	DATE	REVISIONS		APPROVED BY: Alex	07/12-06'	.XXX ± 0.05/.002 .XX' ±		SCALE 4 / 1 SHEET 1 OF 1