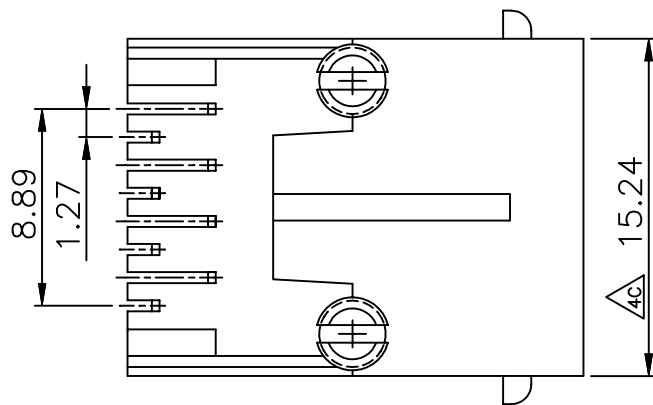
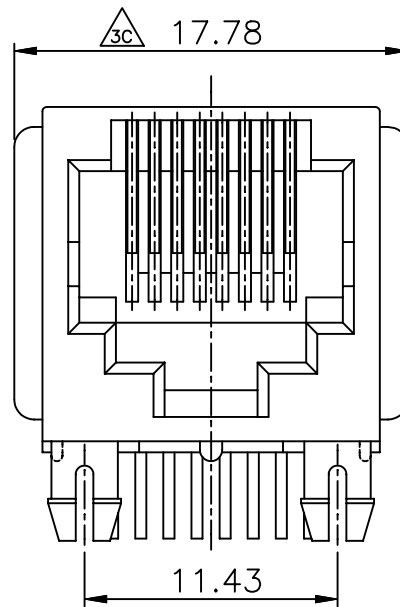
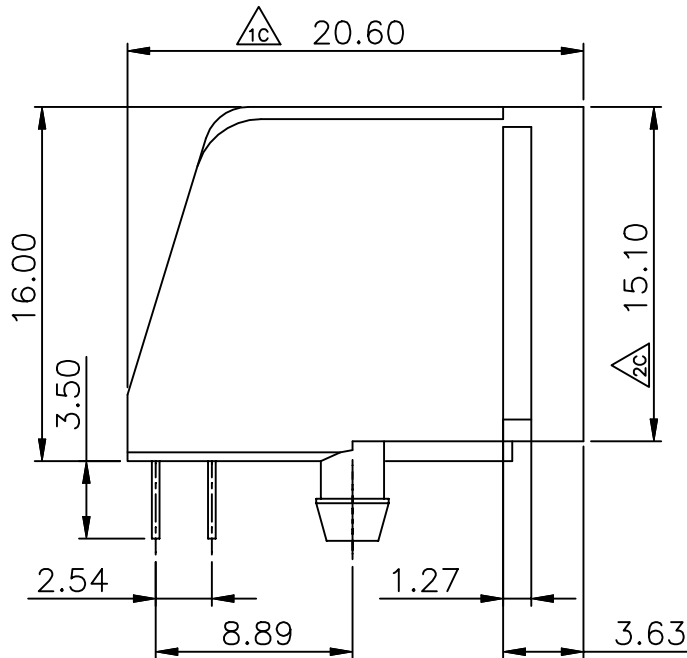


MATERIALS:

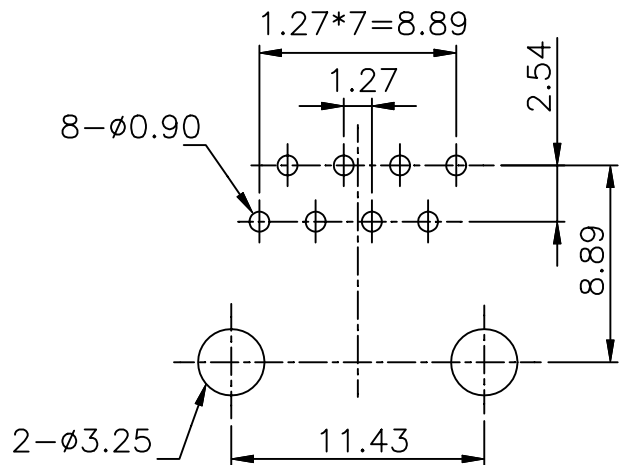
PLASTIC HOUSING: ENGINEERING THERMOPLASTIC
 FLAMMABILITY RATING UL 94V-0.

CONTACTS: PHOSPHOR BRONZE

PLATING: GOLD PLATING OVER NICKEL IN CONTACT.
 TIN PLATING OVER NICKEL IN SOLDER AREA.



PCB LAYOUT/TOP VIEW



凡標註 △記號者, 為品管檢驗之尺寸

- 6u" P/N 3001665800
- 15u" P/N 300166400
- 30u" P/N 3001667000
- 50u" P/N 3001667600

Maritex

設計 DR. LILY 92-08-21	核准 APPD. Jerry	容許公差 .XXX ±0.10 .XX ±0.25 .X ±0.38 X ±0.50 ANG ±3°	TOLERANCE	品名 ARTICLE SIDE ENTRY PCB JACK(8P8C)
版本說明 REVISION NOTE				圖號 DWG NO. 3001665800
				單位 UNIT mm
				比例 SCALE 3/1
				張數 SHEET 1/1
				版本 REV. A