

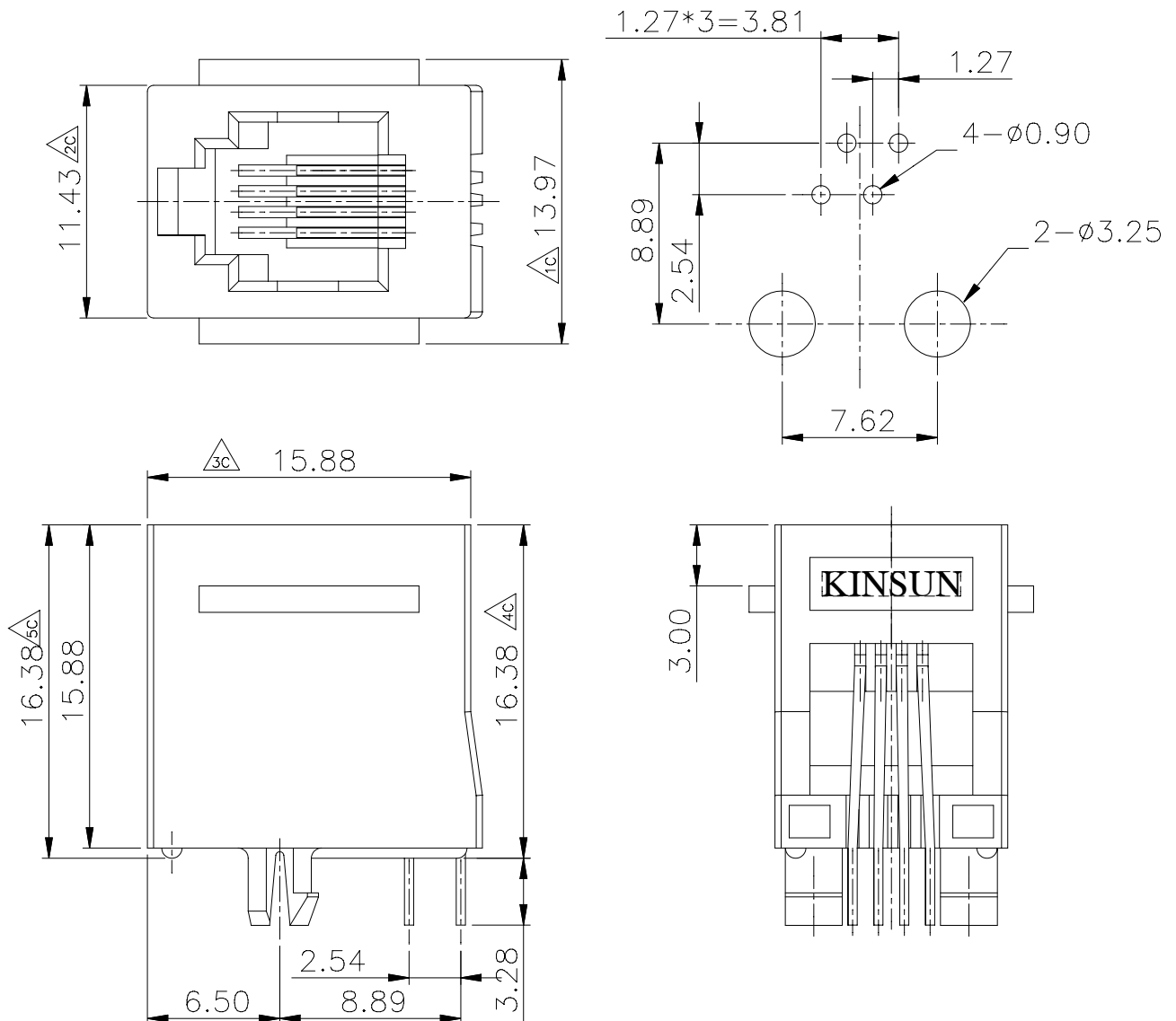
MATERIALS:

PLASTIC HOUSING: ENGINEERING THERMOPLASTIC
 FLAMMABILITY RATING UL 94V-0.

CONTACTS: 0.46MM DIAMETER PHOSPHOR BRONZE

PLATING: GOLD PLATING OVER NICKEL

PCB LAYOUT/TOP VIEW



- 6u" P/N 3002051100
- 15u" P/N 3002051200
- 30u" P/N 3002051300
- 50u" P/N 3002051400

※凡標註 △記號者, 為品管檢驗之尺寸

設計 DR. YANG 93-03-11	核准 APPD. Jerry 93-03-11	容許公差 TOLERANCE .XXX ±0.10 .XX ±0.25 .X ±0.38 X ±0.50 ANG ±3°	品名 ARTICLE Top Entry PCB Jack (4P4C)
版本說明 REVISION NOTE			圖號 DWG NO. 3002051100
KINSUN 慶陞		單位 UNIT mm	比例 SCALE 3/1
		張數 SHEET 1/1	版本 REV. A