



# 錫麟企業有限公司 Sencera Co. Ltd.

Tel:02-27046595 Fax:886-2-27041279 Email:justinel@ms14.hinet.net  
4F-1, No. 26, Jen-Ai Road, Taipei, Taiwan, ROC. <http://welcome.to/sencera>

---

## Solid State Pressure Sensor

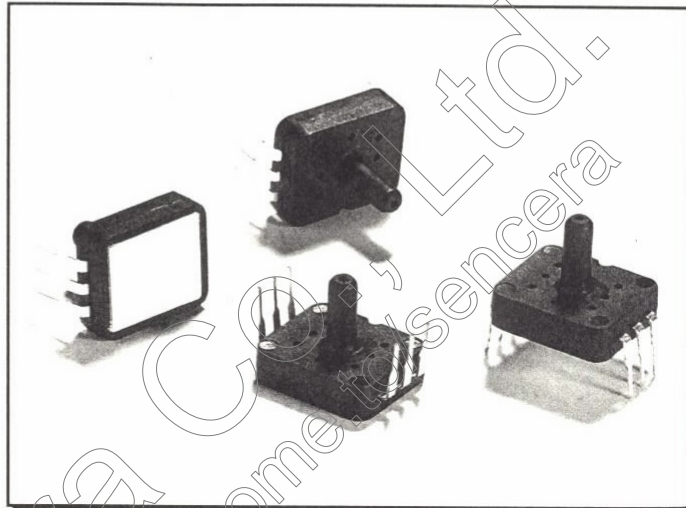
### SPD SERIES

#### FEATURES

- Low Cost
- Easy to Use DIP Package
- Gage or Absolute Pressure
- Constant Voltage or Constant Current Drive

#### APPLICATIONS

- Blood Pressure Meter
- Barometric Sensing
- Portable Gages
- Process Control
- Vacuum Measurement



#### DESCRIPTION

The SPD Series of OEM pressure sensors are silicon pressure sensor in miniature plastic Dual-in-line package to accommodate six pins for through-board printed circuit mounting. These sensors give a voltage output which is proportional to applied pressure. The gage version will give an increasing positive going output when increasing pressure is applied to the molded pressure port. In optional absolute configuration, the pressure is applied to the top of the sensor. A reference vacuum chamber is formed in the chip during manufacturing.

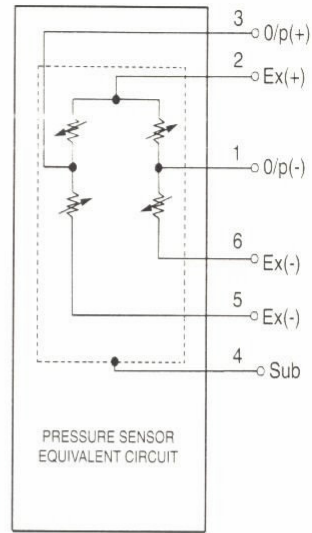
These devices are available in full-scale ranges from 5 to 100 PSI.

They also may be packaged with application specific sensor die. For other lead configuration and alternative pressure ranges, please contact the factory.

# Characteristics

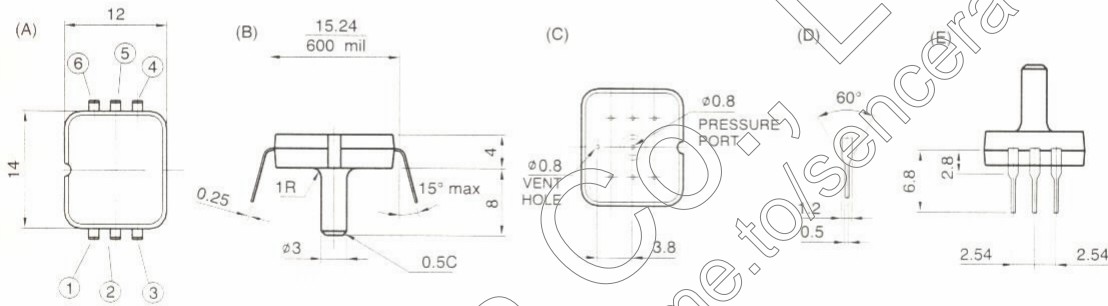
Supply Voltage: 5DC Ambient Temperature: 25°C (Unless Otherwise Specified)

Parameter	Min	Typ	Max	Units
Excitation Voltage	0	5.0	10.0	Volts
Excitation Current	0	1.5	3.0	mA
Span (FS Range)				
5 PSI	70	100	130	mV
15 PSI	110	145	180	mV
30 PSI	125	165	200	mV
60 PSI	125	180	215	mV
100 PSI	125	200	255	mV
Offset	-50	0	50	mV
TC Span	-27	-22	-17	%FS/100°C
TC Offset	-7		+7	%FS/100°C
TC Resistance	23	28	33	%FS/100°C
Linearity	-0.3	±0.1	+0.3	%FS
Bridge Impedance	2.7	3.3	4.0	KΩ
Pressure Overload			20	Psi
Operating Temp	-20		85	°C
Storage Temp	-30		125	°C



- Notes:  
 1. Best Fit Straight Line.  
 2. Wetted material are glass, Ryton, silicon, fluorosilicon and gold(absolute).

## Dimension



## Ordering Information

