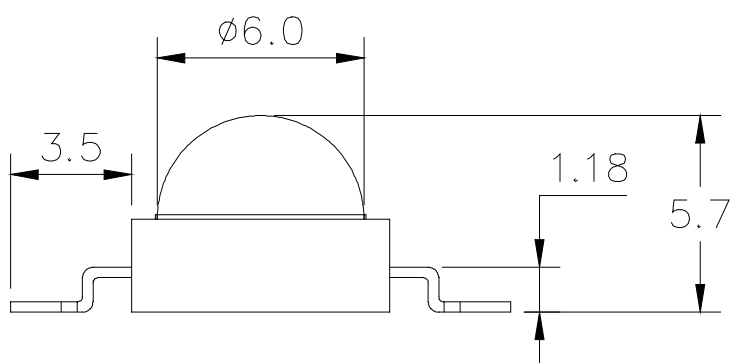
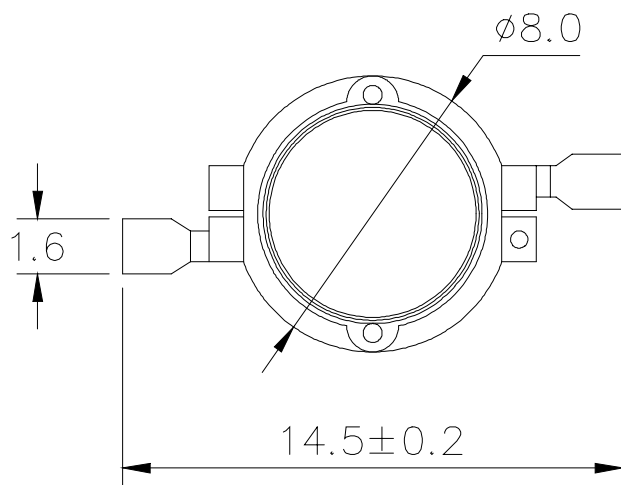


■ Package Dimension:



Part NO.	Housing	Emitting Color	Lens Color
AL-01R6IR1WC-A20	----	Infrared	Water Clear

Notes:

1. All dimensions are in millimeters (inches).
2. Tolerance is ± 0.25 mm (.010") unless otherwise noted.
3. Protruded resin under flange is 1.0mm(.04") max.
4. Lead spacing is measured where the leads emerge from the package.
5. Specifications are subject to change without notice.
6. This data-sheet only valid for six months.

■ Absolute Maximum Ratings at Ta=25°C

Parameter	Symbol	MAX.	Unit
Forward Current	I _F	350	mA
Peak pulsed forward current	I _{PF}	500	mA
Power Dissipation	P _D	1	W
Reverse Voltage	V _R	5	V
Operating Temperature Range	Topr	-40 to +85	°C
Storage Temperature Range	Tstg	-40 to +85	°C
Soldering Temperature (Max.)	Tsol	260 ± 5	seconds

■ Electrical Optical Characteristics at Ta=25°C

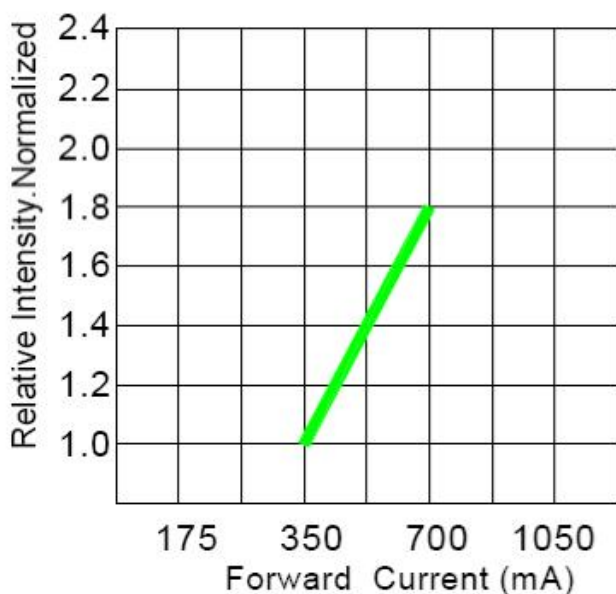
Parameter	Symbol	Min.	Typ.	Max.	Unit	Test Condition
Radiated Output Power	P_O	95	110	---	mW/sr	$I_F=350mA$
Forward Voltage	V_F	1.4	1.6	---	V	$I_F=350mA$
Dominant Wavelength	λ_p	---	850	---	nm	$I_F=350mA$
Spectral Half-Width	$\Delta \lambda_{1/2}$	---	25	---	nm	$I_F=350mA$
Temperature Coefficient or Dominant Wavelength	$\Delta \lambda_d / \Delta T_j$	---	0.04	---	nm/°C	$I_F=350mA$
Temperature Coefficient of V_F	$\Delta V_F / \Delta T_j$	---	-2.0	---	mV/°C	$I_F=350mA$
Thermal Resistance Junction to Board	----	---	15	---	°C/W	$I_F=350mA$
Viewing Angle	$2\theta_{1/2}$	---	120	---	Deg	$I_F=350mA$

■ Reliability test items and conditions :

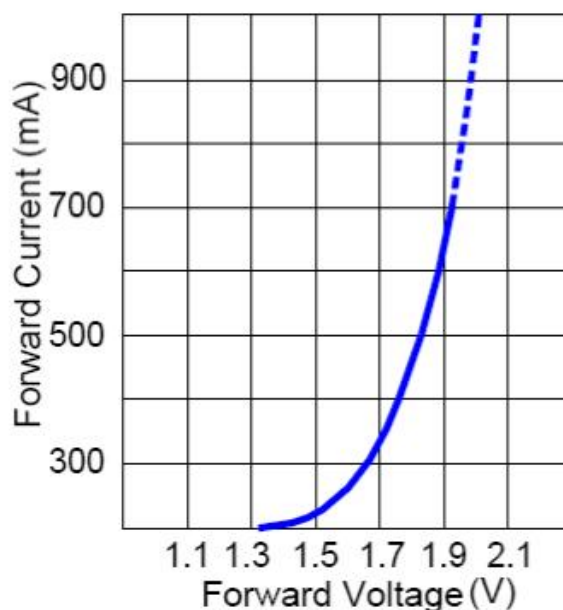
NO	ITEM	Test Conditions	Test hours/cycle	Sample Q'ty	Ac/Re
1	Solder Heat	Temp : 260°C±5°C	5 sec	30 pcs	0/1
2	Temperature Cycle	-40°C 30min -25°C 5min -105°C 30min -25°C 5min	100 cycles	30 pcs	0/1
3	Thermal Shock	-40°C 5min -105°C 5min	20 cycles	30 pcs	0/1
4	High Temperature Storage	Temp : 85°C	1000 hrs	30 pcs	0/1
5	Low Temperature Storage	Temp : -35°C	1000 hrs	30 pcs	0/1
6	DC Operating Life	I _F =350mA	1000 hrs	30 pcs	0/1
7	High Temperature / High Humidity	T _a =60°C R.H 90%	1000 hrs	30 pcs	0/1

■ Typical electro-optical characteristics curves :

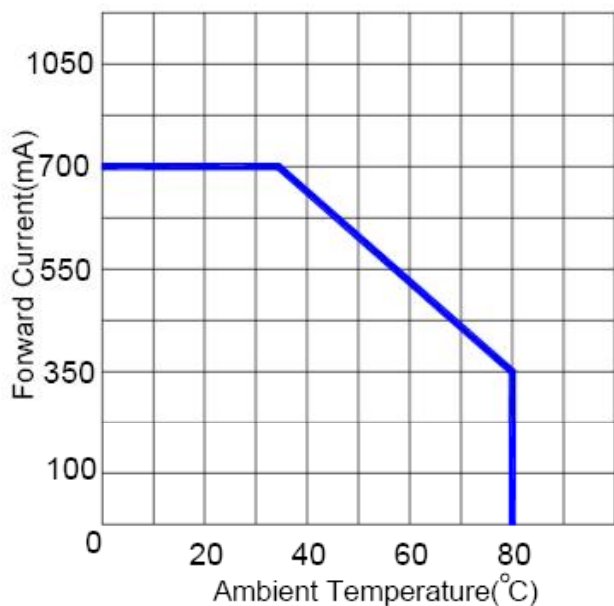
Relative Luminous Intensity vs. Forward Current



Forward Current vs. Forward Voltage



Forward Current vs. Ambient Temperature



Time-Iv deacy rate

