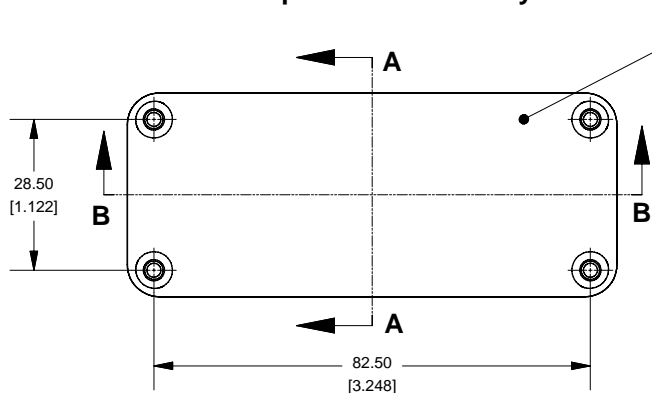
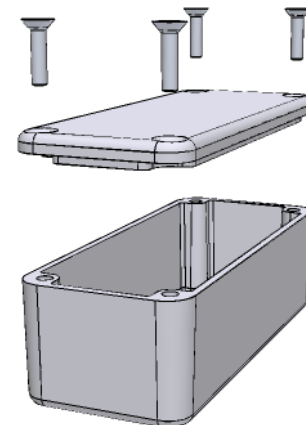
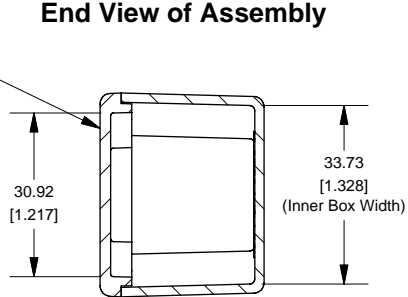


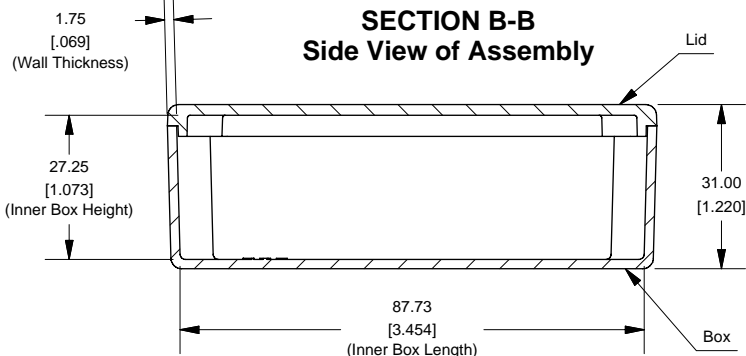
Top View of Assembly



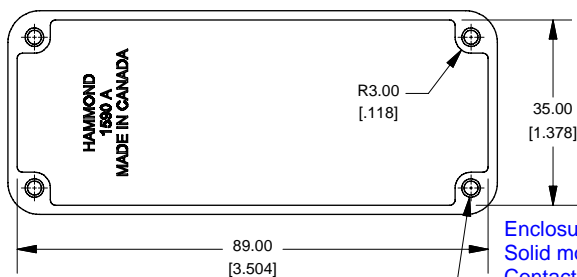
SECTION A-A End View of Assembly



SECTION B-B Side View of Assembly



Top View Looking Inside Box



1590A

Enclosures can be Factory Modified (Milling, Drilling, Printing etc.)
Solid models of this enclosure available in STEP or IGES.
Contact Factory mjm@hammondmfg.com

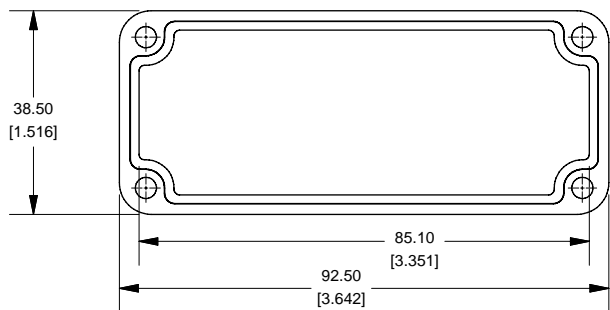
NOTE

Purchased assembly includes box, lid and 4 cover screws.
Box and lid are made from Diecast Aluminum Alloy (alloy type 380).
Silicone Gasket Loctite #5950

PART NUMBERS

| 1590A Enclosure | |
|---|--------------|
| Unfinished | 1590A |
| Grey Textured Polyester Powder Paint - RAL 7038 | 1590AGY |
| Black Textured Polyester Powder Paint - RAL 9011 | 1590ABK |
| 1590A Liquid Resistant Enclosure (Silicon Factory Installed Gasket) | |
| Unfinished | 1590WA |
| Black Textured Powder Paint | 1590WABK |
| ACCESSORIES | |
| Waterproof Cover Screws | |
| Black Textured Cover Screws (Pkg 50) [6-32 x 1/2" SS Type 304] | 1590WMS100BK |
| Unfinished Cover Screws (Pkg 100) [6-32 x 1/2" Nickel Plated Screws] | 1590WMS100 |
| Standard Cover Screws | |
| Unfinished Cover Screws (Pkg 100) [6-32 x 1/2" Nickel Plated Screws] | 1590MS100 |
| Black Textured Cover Screws (Pkg 50) [6-32 x 1/2" SS Type 304] | 1590MS100BK |

Lid



6-32 UNC - 2B ∇ 10.00
 \perp \varnothing 3.50 ∇ 3.00
 (Threaded Holes)

