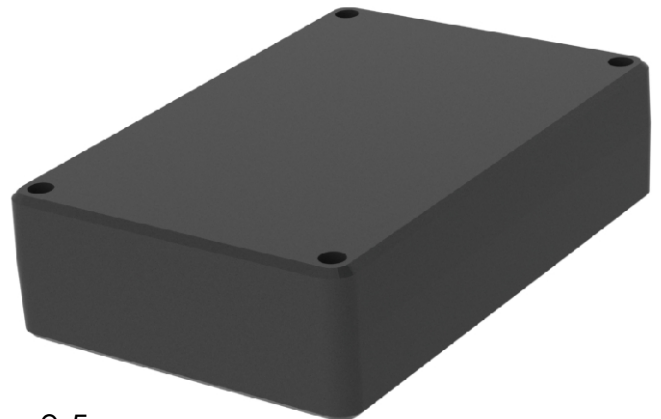
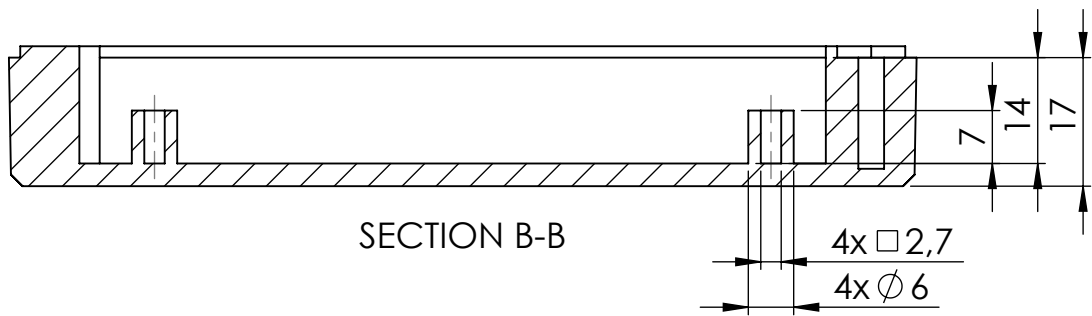
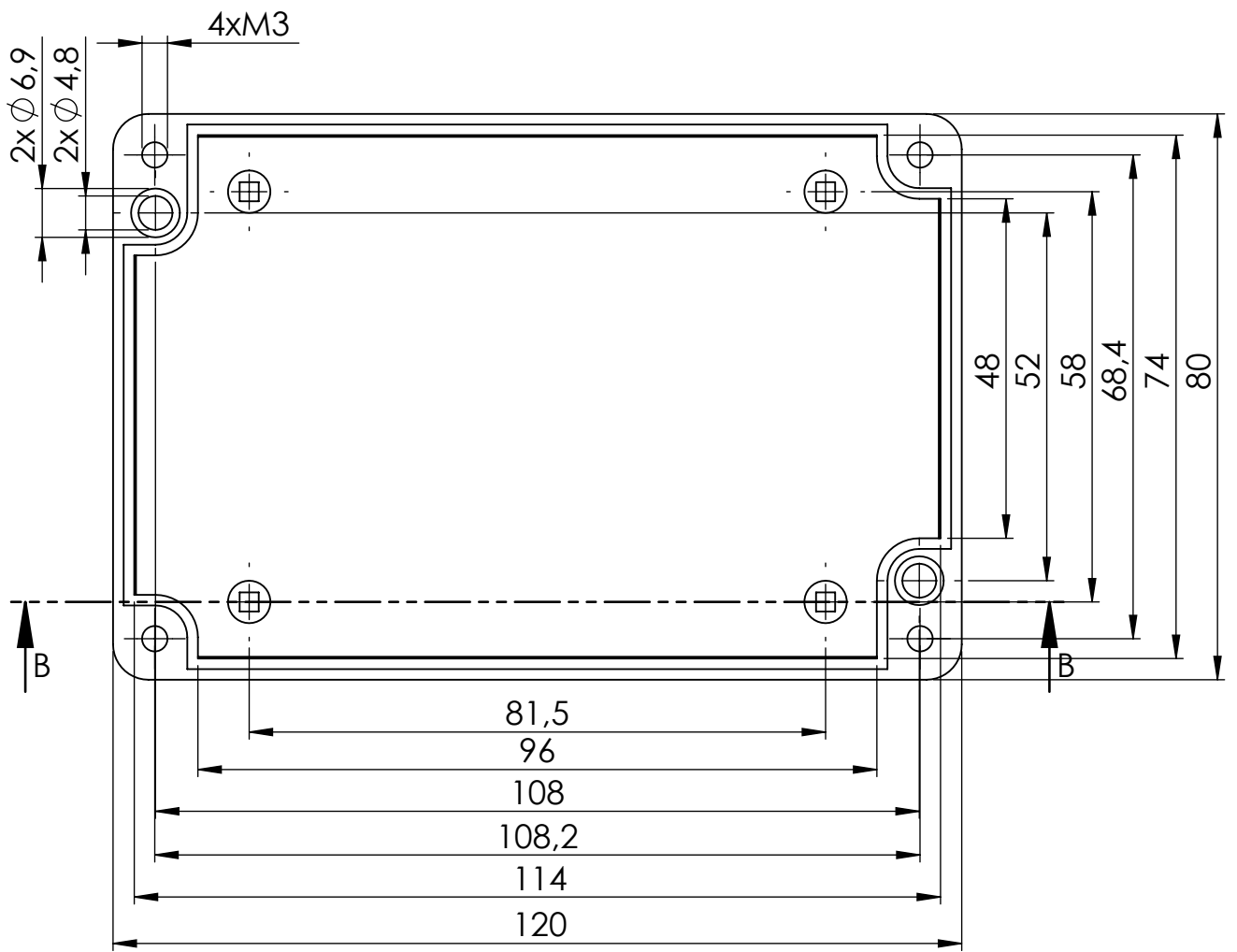


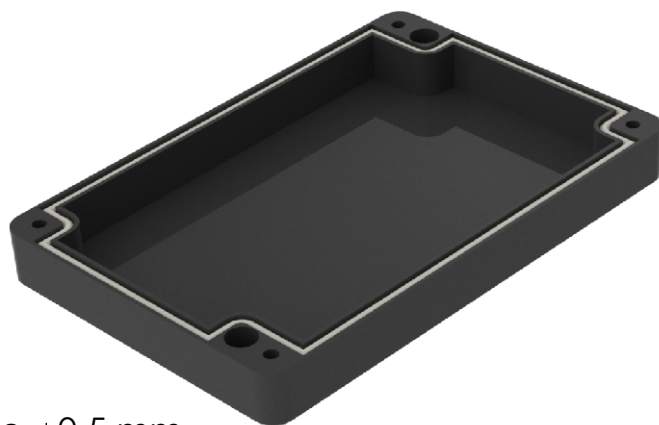
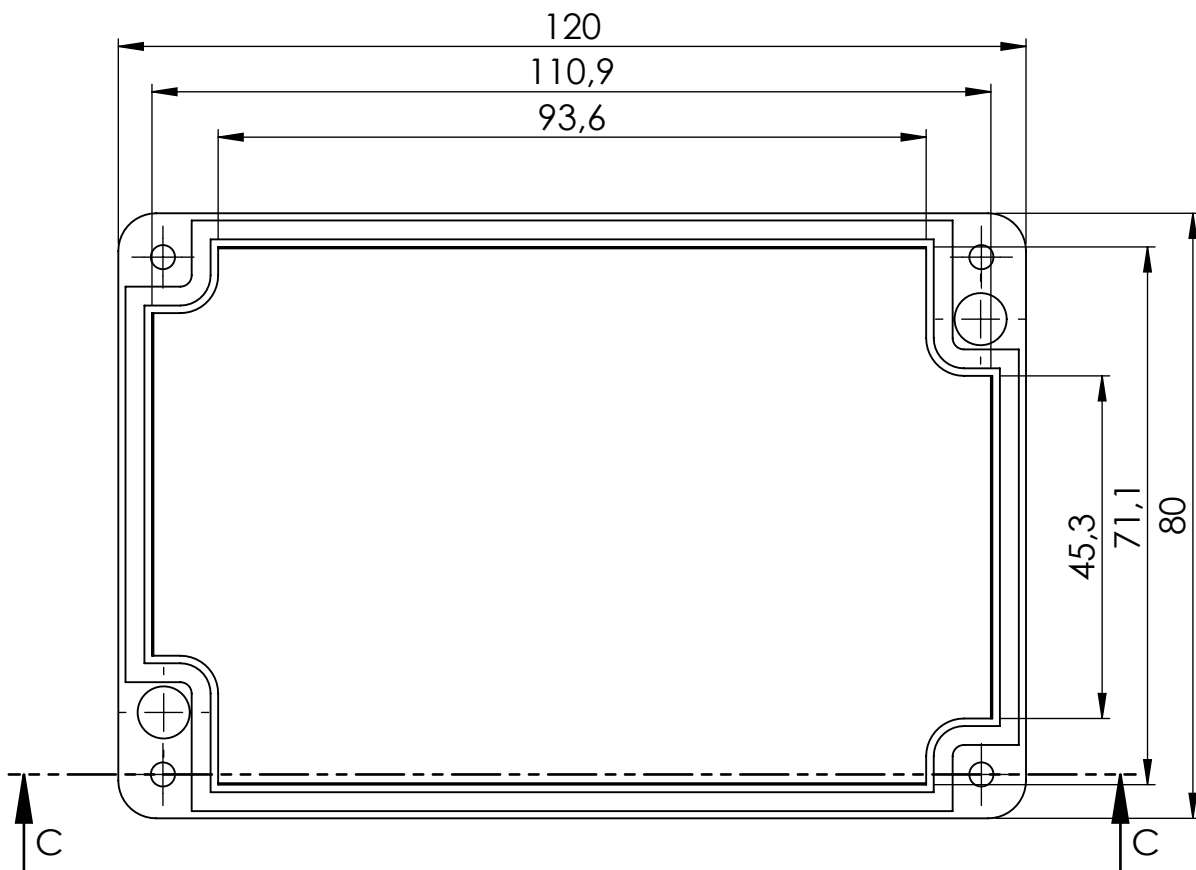
SECTION A-A



Dimensional tolerance $\pm 0,5$ mm



Dimensional tolerance $\pm 0,5$ mm



Dimensional tolerance $\pm 0,5$ mm