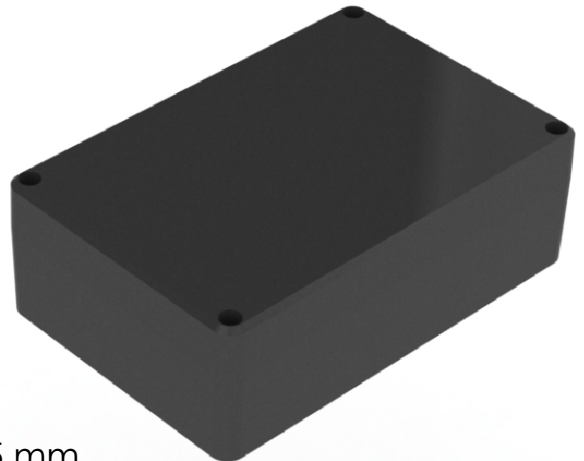
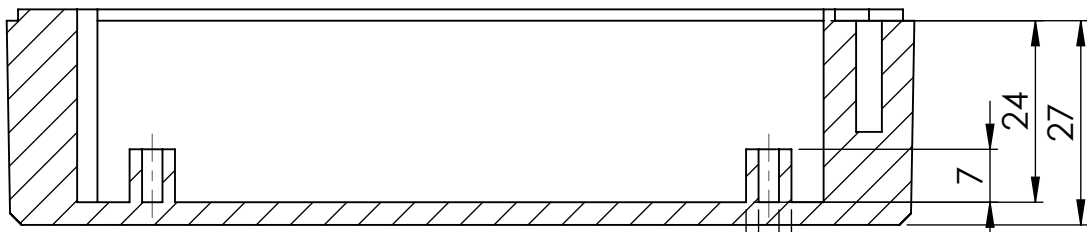
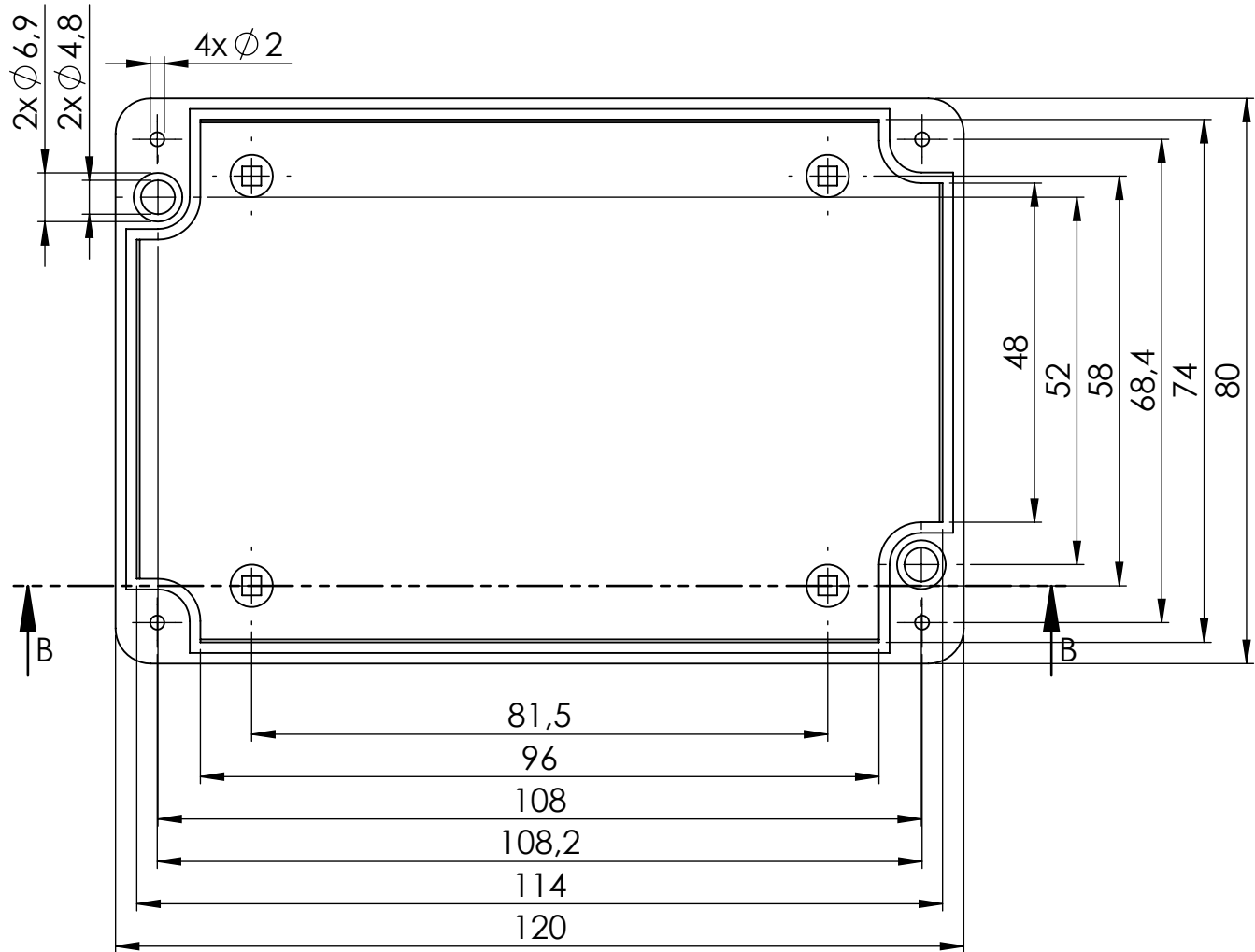


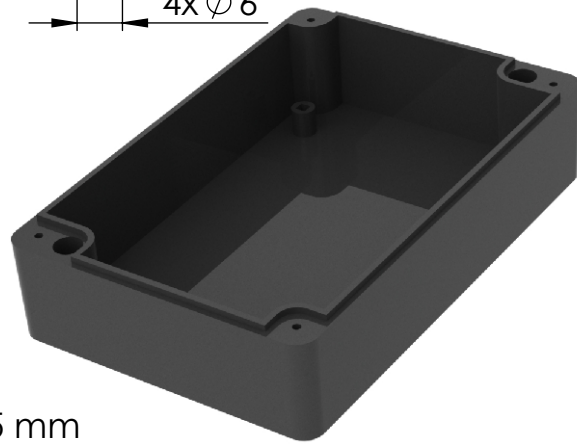
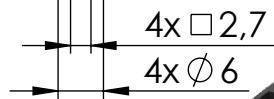
SECTION A-A



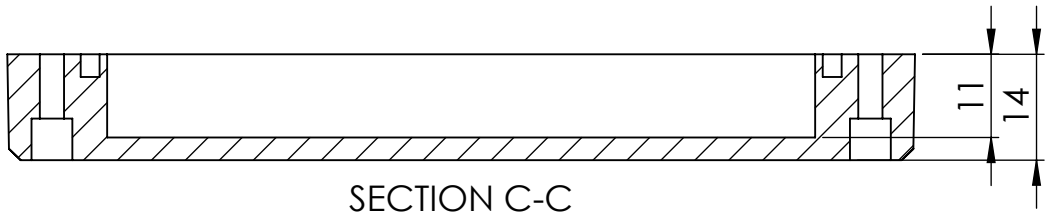
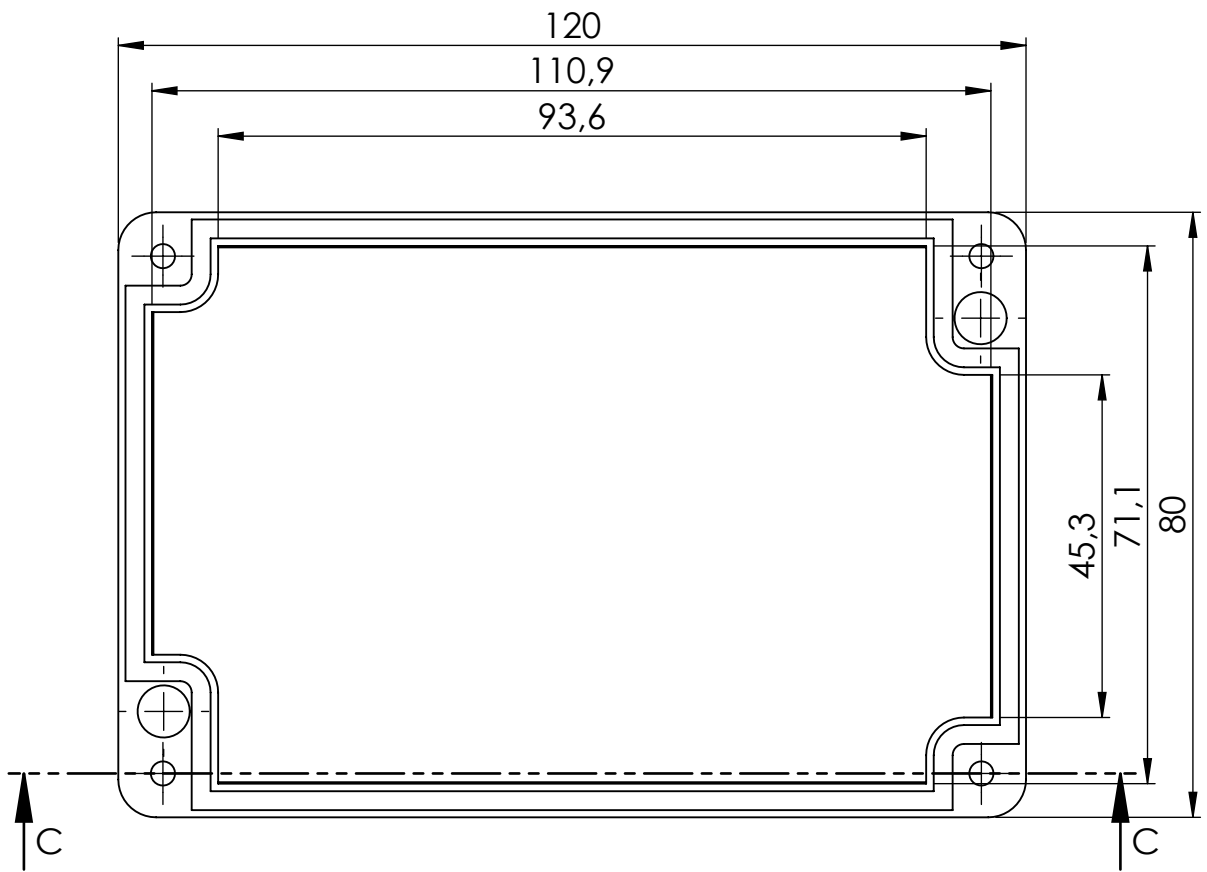
Dimensional tolerance  $\pm 0,5$  mm



SECTION B-B



Dimensional tolerance  $\pm 0,5$  mm



Dimensional tolerance  $\pm 0,5$  mm