

MATERIALS:

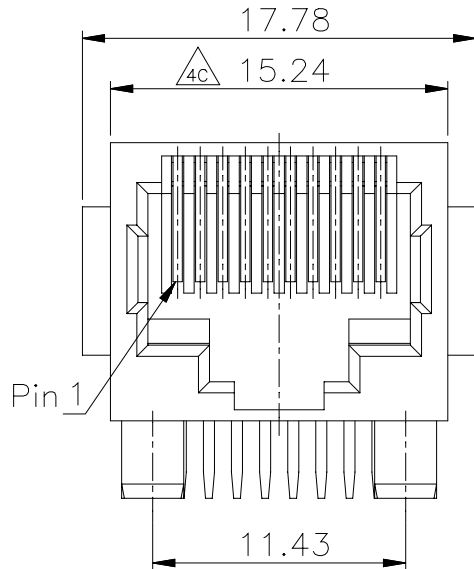
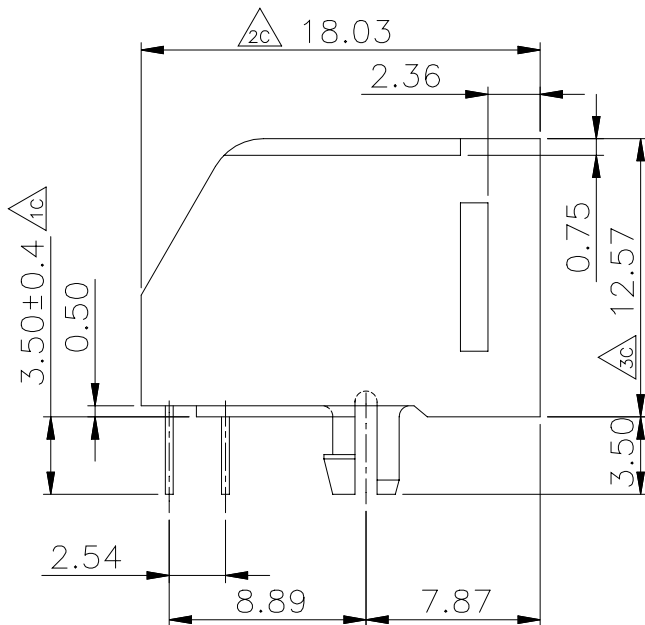
PLASTIC HOUSING: ENGINEERING THERMOPLASTIC

FLAMMABILITY RATING UL 94V-0.

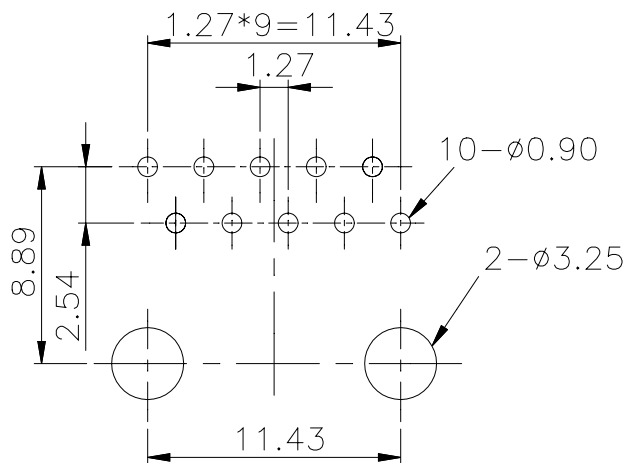
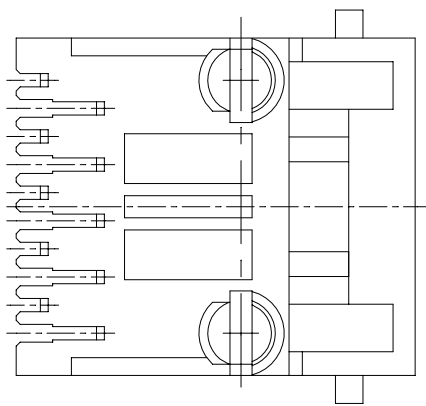
CONTACTS: PHOSPHOR BRONZE

PLATING: GOLD PLATING OVER NICKEL IN CONTACT.

TIN PLATING OVER NICKEL IN SOLDER AREA.



PCB LAYOUT/TOP VIEW



※凡標註 記號者為管制量測尺寸

6u" P/N 3019AG8100

15u" P/N 3019AG8200

30u" P/N 3019AG8300

50u" P/N 3019AG8400

設計 DR. Andy 89-11-13	核准 APPD. Jerry 92-12-18	容許公差 .XXX ±0.10 .XX ±0.25 .X ±0.38 X ±0.50 ANG ±3°	TOLERANCE	品名 ARTICLE SIDE ENTRY PCB JACK
版本說明 REVISION NOTE				圖號 DWG NO. 3019AG8100
KINSUN 慶陞		單位 UNIT mm		比例 SCALE 3/1
		張數 SHEET 1/1		版本 REV. A