

錫麟企業有限公司 Sencera Co. Ltd.

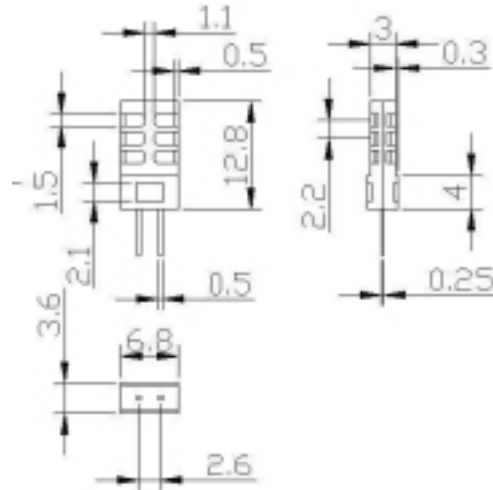
Tel:02-27046595 Fax:886-2-27041279 Email:justinel@ms14.hinet.net

9F-5, No. 26, Sec. 3, Jan-Ai Road, Taipei, Taiwan, ROC. <http://welcome.to/sencera>

H25K5 resistance humidity sensor specification

Applications

Humidity detecting.
Humidifier, dehumidifier
Hygrometer,
Humidity controller.



Electric characteristics

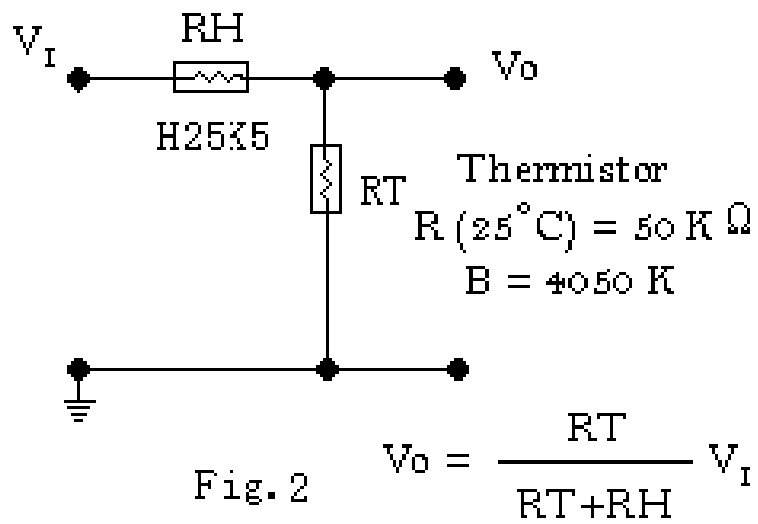
Rated voltage	DC 1~10V Or AC 1Vrms (AC0.26mW)
Operating temp. range	0°C ~ +60°C
Recommended driving Freq.	1 KHz
Operating humidity range	20~ 90%RH
Storage temp. range	-20°C ~ +85°C
Storage humidity range	90% RH Max.
Standard resistance	23KΩ at 25°C, 60% RH, 1KHz
Response time	Max. 60 second.
Accuracy	±5%RH at 25°C, 60% RH
Hysteresis	3%RH Max. (when 40%RH change to 80%RH)

Soldering request: Not over 3 seconds in the solder tank of 250±5°C and can not immersed the Lead into the solder tank over 3mm.

Sensor resistance table (unit:K Ω) At 1 KHz, Voltage 1Vrms.

	30%RH	40%RH	50%RH	60%RH	70%RH	80%RH	90%RH
5 °C	5200	1800	390	94	33	13	6.3
10 °C	4300	1300	287	75	27	11	5.7
15 °C	3500	910	186	55.5	19.7	8.8	4.8
20 °C	2600	615	132	44	15.5	7.1	3.6
25 °C	1800	360	82	23	12	5.5	2.6
30 °C	1200	230	54	20	8.8	4.2	2.4
35 °C	830	160	43.2	16.5	7.3	3.6	2.0
40 °C	490	105	28.2	11.1	5.8	2.9	1.6
45 °C	320	74	22	8.3	4.0	2.1	1.2

Fig. 2: H25K5 Reference circuit



Issue on 20MAY02